



AGRICULTURAL MACHINERY



www.agrolynx.com.tr



CONTENTS

1.SOIL PREPERATION AGX - T	1-39
2.SEEDING MACHINES AGX - E	41-59
3.FERTILIZER SPREADER MACHINES AGX - G	61-79
4.FERTILIZING MACHINES AGX - GG	81-84
5.HOEING MACHINES AGX - GC	86
6.SPRAYING MACHINES AGX-I	88-107
7.HARVESTING THRESHING MACHINES AGX - H	109-132
8.FEED MIXING MACHINES AGX - YK	134-137
9.PACKAGING MACHINES AGX - YPM	139-140
10.LOAD LIFTER AGX -YKL	142
11.SPARE PARTS AGX-YP	144-176

4 SOIL PREPERATION **AGX - T**

A. Plows
AGX-T-P



Rotary Eared Plow

ROTARY EARED PLOW WITH MECHANICAL ADJUSTMENT (120x100)					
DETAILS	REQUIRED POWER (hp)	WEIGHT (kg)	WORK WIDTH (mm)	HEIGHT (mm)	DEPTH of WORK (mm)
2 LEGS 14"	45 - 75	615	600 - 900	780 - 850	300-350
2 LEGS 16"	60 - 80	675	600 - 900	800 - 870	350-400
3 LEGS 12"	60 - 90	850	900 - 1350	780	270-310
3 LEGS 14"	70 - 100	900	900 - 1350	780 - 850	300-350
3 LEGS 16"	80 - 110	960	900 - 1350	800-870	350-400
4 LEGS 12"	75 - 115	1000	1200 -1800	780	270-310
4 LEGS 14"	90 - 130	1050	1200 -1800	780-850	300-350
5 LEGS 12"	100 - 140	1160	1500-2250	780	270-310
5 LEGS 14"	115 - 155	1210	1500-2250	780-850	300-350
3 LEGS 9"	45 - 75	715	810 - 1050	720	190-230
4 LEGS 9"	55 - 90	840	1080-1400	720	190-230
5 LEGS 9"	70 - 110	970	1350 - 1750	720	190-230
6 LEGS 9"	90 - 30	1150	1620 -2100	720	190-230

ROTARY EARED PLOW WITH MECHANICAL ADJUSTMENT (120x120)					
DETAILS	REQUIRED POWER (hp)	WEIGHT (kg)	WORK WIDTH (mm)	HEIGHT (mm)	DEPTH of WORK (mm)
2 LEGS 16"	60 - 90	740	600 - 900	800 - 870	350-400
3 LEGS 14"	70 - 100	950	900 - 1350	780 - 850	300-350
3 LEGS 16"	80 - 110	1020	900 - 1350	800-870	350-400
4 LEGS 14"	90 - 130	1090	1200 - 1800	780 - 850	300-350
4 LEGS 16"	100-140	1260	1200 - 1800	800-850	350-400
5 LEGS 14"	115-155	1270	1500 - 2250	780-850	300-350
5 LEGS 16"	130-170	1510	1500 - 2250	800-870	350-400

ROTARY EARED PLOW WITH MECHANICAL ADJUSTMENT (120x120)					
DETAILS	REQUIRED POWER (hp)	WEIGHT (kg)	WORK WIDTH (mm)	HEIGHT (mm)	DEPTH of WORK (mm)
4 LEGS 14"	90-130	1200	900 - 1350	780 - 850	300-350
4 LEGS 16"	100-140	1450	1200 - 1800	800-850	350-400
5 LEGS 14"	115-155	1460	1500 - 2250	780 - 850	300-350
5 LEGS 16"	130-170	1675	1500 - 2250	800-870	350-400
6 LEGS 14"	140-180	1700	1800 - 2700	780-850	300-350
6 LEGS 16"	160-200	1925	1800 - 2700	800-870	350-400

ROTARY EARED PLOW WITH MECHANICAL ADJUSTMENT (120x100)					
DETAILS	REQUIRED POWER (hp)	WEIGHT (kg)	WORK WIDTH (mm)	HEIGHT (mm)	DEPTH of WORK (mm)
3 LEGS 12"	45 - 75	1050	950-1150	780	340-380
3 LEGS 14"	60 - 80	1080	1250-1270	780	350-390
4 LEGS 12"	60 - 90	1250	900 - 1550	780	300-340
4 LEGS 14"	70 - 100	1280	1250 -1570	780	320-360

ROTARY EARED PLOW WITH MECHANICAL ADJUSTMENT (120x120)					
DETAILS	REQUIRED POWER (hp)	WEIGHT (kg)	WORK WIDTH (mm)	HEIGHT (mm)	DEPTH of WORK (mm)
3 LEGS 12"	75-100	1050	950-1150	780	290-340
3 LEGS 14"	80-100	1100	970-1170	780	300-350
4 LEGS 9"	65-85	1020	1030-1240	780	380-320
4 LEGS 12"	85-110	1280	1220 - 1550	780	310-350
4 LEGS 14"	90-110	1320	1250 -1570	780	320-360
5 LEGS 9"	90-115	1320	1280 -1480	780	290-330
5 LEGS 14"	95-130	1510	1570 - 2000	780	340-380



Fully Automatic Rotary Plow

ROTARY EARED PLOW WITH MECHANICAL ADJUSTMENT (120x100)					
DETAILS	REQUIRED POWER (hp)	WEIGHT (kg)	WORK WIDTH (mm)	HEIGHT (mm)	DEPTH of WORK (mm)
3 LEGS 12"	60-70	840	900-1350	720-780	270-310
3 LEGS 12"	60 - 80	845	900-1350	720-780	270-310
3 LEGS 14"	70-90	900	900-1350	720-780	300-350
3 LEGS 14"	70-90	905	900-1350	720-780	300-350

ROTARY EARED PLOW WITH MECHANICAL ADJUSTMENT (140x120x8)					
DETAILS	REQUIRED POWER (hp)	WEIGHT (kg)	WORK WIDTH (mm)	HEIGHT (mm)	DEPTH of WORK (mm)
3 LEGS 12"	65-80	860	900-1350	720-780	270-310
3 LEGS 14"	70-80	890	900-1350	720-780	300-350
3 LEGS 14"	70-80	900	900-1350	720-780	300-350
3 LEGS 14"	80-90	920	900-1350	720-780	350-400
3 LEGS 16"	80-90	1040	900-1350	720-780	350-400
3 LEGS 16"	80-100	1045	900-1350	720-780	350-400

4-ROTARY EARED PLOW WITH MECHANICAL ADJUSTMENT (120x100x8)					
DETAILS	REQUIRED POWER (hp)	WEIGHT (kg)	WORK WIDTH (mm)	HEIGHT (mm)	DEPTH of WORK (mm)
4 LEGS 12"	80-105	980	1200-1080	720-780	270-310
4 LEGS 12"	80-105	985	1200-1080	720-780	270-310
4 LEGS 14"	80-105	995	1200-1080	720-780	300-350
4 LEGS 14"	80-105	1000	1200-1080	720-780	300-350

4-ROTARY EARED PLOW WITH MECHANICAL ADJUSTMENT (140x120x8)					
DETAILS	REQUIRED POWER (hp)	WEIGHT (kg)	WORK WIDTH (mm)	HEIGHT (mm)	DEPTH of WORK (mm)
4 LEGS 12"	80-105	1050	1200-1080	720-780	270-310
4 LEGS 14"	80-105	1065	1200-1080	720-780	300-350
4 LEGS 14"	80-105	1085	1200-1080	720-780	300-350
4 LEGS 14"	80-105	1090	1200-1080	720-780	300-350
4 LEGS 16"	80-105	1140	1200-1080	750-820	350-400
4 LEGS 16"	80-105	1125	1200-1080	750-820	350-400

5-ROTARY EARED PLOW WITH MECHANICAL ADJUSTMENT (120x100x8)					
DETAILS	REQUIRED POWER (hp)	WEIGHT (kg)	WORK WIDTH (mm)	HEIGHT (mm)	DEPTH of WORK (mm)
5 LEGS 12"	100-120	1060	1500-2250	720-780	270-310
5 LEGS 14"	100-120	1080	1500-2250	720-780	300-350

5-ROTARY EARED PLOW WITH MECHANICAL ADJUSTMENT (140x120x8)					
DETAILS	REQUIRED POWER (hp)	WEIGHT (kg)	WORK WIDTH (mm)	HEIGHT (mm)	DEPTH of WORK (mm)
5 LEGS 12"	110-140	1220	1500-2250	720-780	270-310
5 LEGS 12"	120-140	1240	1500-2250	720-780	270-310
5 LEGS 14"	120-150	1275	1500-2250	720-780	300-350
5 LEGS 14"	120-160	1285	1500-2250	720-780	300-350
5 LEGS 14"	130-170	1305	1500-2250	720-780	300-350

5-ROTARY EARED PLOW WITH MECHANICAL ADJUSTMENT (140x120x8)					
DETAILS	REQUIRED POWER (hp)	WEIGHT (kg)	WORK WIDTH (mm)	HEIGHT (mm)	DEPTH of WORK (mm)
5 LEGS 12"	120-140	1350	1500-2250	720-780	300-350
5 LEGS 12"	120-160	1360	1500-2250	720-780	300-350
5 LEGS 14"	140-170	1370	1500-2250	720-780	300-350
5 LEGS 14"	150-190	1500	1500-2250	720-780	300-350
5 LEGS 14"	150-190	1520	1500-2250	720-780	300-350



Profile Plow

3

agrolynx.com.tr

4

agrolynx.com.tr

MECHANICALLY ADJUSTED PROFILE PLOW (120X100)					
DETAILS	REQUIRED POWER (hp)	WEIGHT (kg)	WORK WIDTH (mm)	HEIGHT (mm)	DEPTH of WORK (mm)
3 LEGS 12"	60 - 90	850	900 - 1350	780	270 - 310
3 LEGS 14"	70 - 100	900	900 - 1350	780 - 850	300 - 350
4 LEGS 9"	55 - 90	840	1080 - 1400	720	190 - 230
4 LEGS 10"	60 - 90	645	1080 - 1400	720	190 - 230
4 LEGS 12"	75 - 115	1000	1200 - 1800	780	270 - 310
4 LEGS 14"	90 - 130	1050	1200 - 1800	780 - 850	300 - 350
5 LEGS 9"	70 - 110	970	1350 - 1750	720	190 - 230
5 LEGS 12"	100 - 140	1160	1500 - 2250	720	270 - 310
6 LEGS 9"	90 - 30	1150	1620 - 2100	720	190 - 230

MECHANICALLY ADJUSTED PROFILE PLOW (120X120)					
DETAILS	REQUIRED POWER (hp)	WEIGHT (kg)	WORK WIDTH (mm)	HEIGHT (mm)	DEPTH of WORK (mm)
3 LEGS 14"	70 - 100	600	900 - 1350	780 - 850	300 - 350
3 LEGS 16"	80 - 110	645	900 - 1350	800 - 870	350 - 400
4 LEGS 14"	90 - 130	740	1200 - 1800	780	300 - 350
4 LEGS 16"	100 - 140	795	1200 - 1800	800 - 850	350 - 400
5 LEGS 12"	100 - 140	800	1500 - 2250	780	270 - 310
5 LEGS 14"	105 - 150	820	1500 - 2250	780 - 850	300 - 350
5 LEGS 16"	130 - 170	910	1500 - 2250	800 - 870	350 - 400

MECHANICALLY ADJUSTED PROFILE PLOW (140X120)					
DETAILS	REQUIRED POWER (hp)	WEIGHT (kg)	WORK WIDTH (mm)	HEIGHT (mm)	DEPTH of WORK (mm)
4 LEGS 16"	100 - 140	845	1200 - 1800	800 - 850	350 - 400
5 LEGS 14"	105 - 150	860	1500 - 2250	780 - 850	300 - 350
5 LEGS 16"	130 - 170	960	1500 - 2250	800 - 870	350 - 400
6 LEGS 14"	140 - 180	1015	1800 - 2700	780 - 850	300 - 350
6 LEGS 16"	160 - 200	1125	1800 - 2700	800 - 870	350 - 400

MECHANICALLY ADJUSTED COIL SPRING PROFILE PLOW (120x100)					
DETAILS	REQUIRED POWER (hp)	WEIGHT (kg)	WORK WIDTH (mm)	HEIGHT (mm)	DEPTH of WORK (mm)
3 LEGS 9"	55 - 70	550	780 - 930	700	260 - 300
3 LEGS 10"	60 - 80	640	820 - 1020	780	280 - 320
3 LEGS 11"	60 - 90	647	950 - 1150	780	290 - 330
3 LEGS 12"	65 - 90	652	950 - 1150	780	300 - 340
3 LEGS 13"	65 - 90	655	950 - 1150	780	320 - 360
3 LEGS 14"	70 - 90	660	970 - 1170	780	270 - 310
4 LEGS 9"	60 - 90	665	1030 - 1240	700	280 - 320
4 LEGS 10"	70 - 90	780	1070 - 1370	780	280 - 320
4 LEGS 11"	70 - 95	795	1220 - 1550	780	290 - 330
4 LEGS 12"	75 - 95	800	1220 - 1550	780	290 - 330
4 LEGS 13"	75 - 95	810	1220 - 1550	780	290 - 330
4 LEGS 14"	75 - 95	815	1220 - 1550	780	290 - 330
5 LEGS 9"	75 - 100	790	1280 - 1480	700	290 - 330
5 LEGS 10"	80 - 110	925	1320 - 1720	780	290 - 330
5 LEGS 11"	90 - 115	940	1550 - 1950	780	300 - 340
5 LEGS 12"	90 - 120	955	1500 - 2250	780	300 - 340
5 LEGS 13"	90 - 120	965	1500 - 2250	780	310 - 350
5 LEGS 14"	90 - 120	980	1570 - 2000	780	320 - 360

MECHANICALLY ADJUSTED COIL SPRING PROFILE PLOW (120x100)					
DETAILS	REQUIRED POWER (hp)	WEIGHT (kg)	WORK WIDTH (mm)	HEIGHT (mm)	DEPTH of WORK (mm)
4 LEGS 12"	80 - 100	800	1220 - 1550	780	300 - 350
4 LEGS 14"	90 - 100	815	1250 - 1570	780	300 - 350
5 LEGS 12"	100 - 120	955	1550 - 1950	780	310 - 350
5 LEGS 13"	100 - 120	965	1550 - 1950	780	320 - 360
5 LEGS 14"	110 - 130	980	1570 - 2000	780	320 - 360
6 LEGS 14"	130 - 150	980	1850 - 2350	780	350 - 390

FULLY AUTOMATIC PROFILE PLOW WITH MECHANICAL ADJUSTMENT (OIL PRESSURE) (140x120)					
DETAILS	REQUIRED POWER (hp)	WEIGHT (kg)	WORK WIDTH (mm)	HEIGHT (mm)	DEPTH of WORK (mm)
6 LEGS 14"	140 - 190	1550	1800 - 2700	780 - 850	300 - 350
6 LEGS 16"	160 - 210	1640	1800 - 2700	800 - 870	350 - 400



Classic Plow

2-ECCENTRIC PLOW FEATURES

DETAILS	REQUIRED POWER (hp)	WEIGHT (kg)	WORK WIDTH (mm)	HEIGHT (mm)	DEPTH of WORK (mm)
2 LEGS 10"	40-50	170	540	650	220-260
2 LEGS 11"	45-55	180	560	660	250-290
2 LEGS 12"	55-60	190	600	680	270-310
2 LEGS 14"	60-65	200	700	680	300-350
2 LEGS 16"	70-80	240	750	750	350-400

3-ECCENTRIC PLOW FEATURES

DETAILS	REQUIRED POWER (hp)	WEIGHT (kg)	WORK WIDTH (mm)	HEIGHT (mm)	DEPTH of WORK (mm)
3 LEGS 7"	40-50	180	780	600	150-200
3 LEGS 8"	45-55	240	780	620	150-200
3 LEGS 8B"	55-60	250	900	620	190-230
3 LEGS 9"	60-65	240	780	680	190-230
3 LEGS 9B"	70-80	250	900	750	220-260
3 LEGS 10"	40-50	300	780	650	220-260
3 LEGS 10B"	40-50	310	990	650	220-260
3 LEGS 11"	45-55	310	840	660	250-290
3 LEGS 12"	55-60	320	900	680	270-310
3 LEGS 13"	60-65	330	1050	680	290-330
3 LEGS 14"	70-80	340	1200	750	300-350
3 LEGS 14"	70-80	420	1200	750	350-400

4-ECCENTRIC PLOW FEATURES

DETAILS	REQUIRED POWER (hp)	WEIGHT (kg)	WORK WIDTH (mm)	HEIGHT (mm)	DEPTH of WORK (mm)
4 LEGS 7"	40-50	250	1040	600	150-200
4 LEGS 7K"	40-50	270	1040	620	150-200
4 LEGS 8"	50-60	320	1040	620	190-230
4 LEGS 8B"	50-60	310	1200	680	190-230
4 LEGS 9"	55-65	330	1040	750	220-260
4 LEGS 9B"	60-70	330	1200	650	220-260
4 LEGS 10"	60-70	410	1040	650	220-260
4 LEGS 10B"	70-80	420	1320	660	250-290
4 LEGS 11"	70-80	450	1120	680	270-310
4 LEGS 12"	75-85	470	1200	680	290-330
4 LEGS 13"	75-85	470	1320	750	300-350
4 LEGS 14"	80-90	490	1400	750	350-400
4 LEGS 16"	100-130	590	1600	750	350-400

5-ECCENTRIC PLOW FEATURES

DETAILS	REQUIRED POWER (hp)	WEIGHT (kg)	WORK WIDTH (mm)	HEIGHT (mm)	DEPTH of WORK (mm)
5 LEGS 7"	50-55	310	1040	600	100-150
5 LEGS 7K"	50-55	340	1040	620	150-200
5 LEGS 8"	55-60	390	1040	620	150-200
5 LEGS 8B"	55-60	390	1200	680	190-230
5 LEGS 9"	60-65	430	1040	750	190-230
5 LEGS 9B"	60-65	430	1200	650	220-260
5 LEGS 10"	70-80	510	1040	650	220-260
5 LEGS 10B"	75-90	520	1320	660	250-290
5 LEGS 11"	80-85	550	1120	680	270-310
5 LEGS 12"	85-95	590	1200	680	290-330
5 LEGS 13"	85-95	590	1320	750	300-350
5 LEGS 14"	100-120	610	1400	750	300-350

Vineyard - Garden Plow

DETAILS	REQUIRED POWER (hp)	WEIGHT (kg)	WORK WIDTH (mm)	HEIGHT (mm)	DEPTH of WORK (mm)
4 LEGS 7"	50-60	285	1030	580	180-220
4 LEGS 8"	60-70	330	1060	625	200-240
5 LEGS 6"	50-60	320	1250	565	190-230
5 LEGS 7"	60-70	365	1320	580	200-240
5 LEGS 8"	65-75	440	1350	625	230-270
6 LEGS 6"	50-60	400	1500	565	200-240
6 LEGS 7"	60-70	415	1620	575	210-250
6 LEGS 8"	70-90	520	1630	625	220-260
7 LEGS "	50-60	415	2040	560	210-250

Micro Plow

DETAILS	REQUIRED POWER (hp)	WEIGHT (kg)	WORK WIDTH (mm)	HEIGHT (mm)	DEPTH of WORK (mm)
4 LEGS 7"	15-20	92	520	520	100-140
4 LEGS 8"	20-30	150	780	520	120-160
5 LEGS 6"	30-40	190	1020	520	130-180

Pimkesen Plow

DETAILS	REQUIRED POWER (hp)	WEIGHT (kg)	WORK WIDTH (mm)	HEIGHT (mm)	DEPTH of WORK (mm)
3 LEGS 8"	45-50	250	760	610	200-240
3 LEGS 9"	50-55	280	770	610	200-240
3 LEGS 10"	55-60	330	820	670	220-260
3 LEGS 11"	60-65	340	920	670	220-260
3 LEGS 12"	65-70	345	920	670	220-260
4 LEGS 8"	45-50	350	1000	610	190-230
4 LEGS 9"	60-65	370	1000	610	200-240
4 LEGS 10"	65-70	455	1070	670	220-260
4 LEGS 11"	75-80	470	1200	670	210-250
4 LEGS 12"	80-85	480	1200	670	230-270
5 LEGS 8"	55-60	430	1250	610	150-200
5 LEGS 9"	60-65	470	1250	610	200-240
5 LEGS 10"	70-80	555	1320	670	220-260
5 LEGS 11"	80-85	590	1480	670	250-290
5 LEGS 12"	90-100	595	1480	670	250-290

Camalı Plow

DETAILS	REQUIRED POWER (hp)	WEIGHT (kg)	WORK WIDTH (mm)	HEIGHT (mm)	DEPTH of WORK (mm)
2 LEGS 10"	35-45	215	600	650	240-300
2 LEGS 12"	55-65	225	660	560	270-310
2 LEGS 14"	65-75	250	700	700	280-320
2 LEGS 16"	60-65	310	780	730	360-400
3 LEGS 8"	70-80	240	810	630	190-230
3 LEGS 9"	45-55	250	810	620	200-240
3 LEGS 10"	50-55	320	890	660	200-240
3 LEGS 11"	55-60	350	890	670	240-280
3 LEGS 12"	55-60	370	960	690	240-280
3 LEGS 13"	60-70	392	1020	690	250-290
3 LEGS 14"	65-75	455	1050	690	270-310
3 LEGS 16"	65-75	350	1200	610	200-240
4 LEGS 8"	70-80	360	1080	670	210-250
4 LEGS 9"	80-90	455	1080	670	220-260
4 LEGS 10"	85-95	470	1020	670	220-260
4 LEGS 11"	85-95	490	1170	690	230-270
4 LEGS 12"	85-95	500	1250	610	230-270
3 LEGS 13"	85-95	550	1340	670	240-280
3 LEGS 14"	95-100	635	1400	670	250-300



Rotary Eared Plow (160x160)

HYDRAULIC ADJUSTABLE TOWED ROTARY EARED PLOW (160x160)					
DETAILS	REQUIRED POWER (hp)	WEIGHT (kg)	WORK WIDTH (mm)	HEIGHT (mm)	DEPTH of WORK (mm)
6 LEGS 14"	160 - 210	3610	1800 - 3000	780 - 850	300 - 350
6 LEGS 16"	190 - 240	3850	1800 - 3000	800 - 870	350 - 400
7 LEGS 14"	190 - 240	3780	2100 - 3500	780 - 850	300 - 350
7 LEGS 16"	225 - 275	4050	2100 - 3500	800 - 870	350 - 400
8 LEGS 14"	220 - 270	4080	2400 - 4000	780 - 850	300 - 350
8 LEGS 16"	250 - 310	4400	2400 - 4000	800 - 870	350 - 400

HYDRAULIC ADJUSTABLE TOWED ROTARY EARED PLOW (180x180)					
DETAILS	REQUIRED POWER (hp)	WEIGHT (kg)	WORK WIDTH (mm)	HEIGHT (mm)	DEPTH of WORK (mm)
7 LEGS 16"	225 - 275	4270	1800 - 2700	800 - 870	350 - 400
8 LEGS 16"	250 - 310	4600	1800 - 2700	800 - 870	350 - 400
9 LEGS 16"	295 - 345	4950	1800 - 2700	800 - 870	350 - 400

HYDRAULIC ADJUSTABLE TOWED ROTARY EARED PLOW (160x160)					
DETAILS	REQUIRED POWER (hp)	WEIGHT (kg)	WORK WIDTH (mm)	HEIGHT (mm)	DEPTH of WORK (mm)
6 LEGS 14"	150 - 220	3600	1800 - 3000	780 - 850	300 - 350
6 LEGS 16"	180 - 250	3840	1800 - 3000	800 - 870	350 - 400
7 LEGS 14"	180 - 250	3830	2100 - 3500	780 - 850	300 - 350
7 LEGS 16"	215 - 285	4070	2100 - 3500	800 - 870	350 - 400
8 LEGS 14"	220 - 280	4080	2400 - 4000	800 - 870	350 - 400
8 LEGS 16"	250 - 320	4740	2400 - 4000	800 - 870	350 - 400

HYDRAULIC ADJUSTABLE TOWED ROTARY EARED PLOW (180x180)					
DETAILS	REQUIRED POWER (hp)	WEIGHT (kg)	WORK WIDTH (mm)	HEIGHT (mm)	DEPTH of WORK (mm)
7 LEGS 16"	225 - 275	4300	2100 - 3500	800 - 870	350 - 400
8 LEGS 16"	250 - 310	4900	2400 - 4000	800 - 870	350 - 400
9 LEGS 16"	295 - 345	5200	2700 - 4500	800 - 870	350 - 400

HYDRAULIC ADJUSTABLE TOWED PROFILE PLOW (160x160)					
DETAILS	REQUIRED POWER (hp)	WEIGHT (kg)	WORK WIDTH (mm)	HEIGHT (mm)	DEPTH of WORK (mm)
6 LEGS 12"	160 - 210	3380	1800 - 3000	780 - 850	300 - 350
6 LEGS 14"	160 - 210	3440	1800 - 3000	780 - 850	300 - 350
6 LEGS 16"	190 - 240	3540	1800 - 3000	800 - 870	350 - 400

HYDRAULIC ADJUSTABLE TOWED ROTARY EARED PLOW (160x160)					
DETAILS	REQUIRED POWER (hp)	WEIGHT (kg)	WORK WIDTH (mm)	HEIGHT (mm)	DEPTH of WORK (mm)
6 LEGS 14"	150 - 220	2700	1800 - 3000	780 - 850	300 - 350
6 LEGS 16"	180 - 250	2820	1800 - 3000	800 - 870	350 - 400
7 LEGS 14"	180 - 250	3150	2100 - 3500	780 - 850	300 - 350
7 LEGS 16"	215 - 285	3290	2100 - 3500	800 - 870	350 - 400

HYDRAULIC ADJUSTABLE TOWED PROFILE PLOW (160x160)					
DETAILS	REQUIRED POWER (hp)	WEIGHT (kg)	WORK WIDTH (mm)	HEIGHT (mm)	DEPTH of WORK (mm)
8 LEGS 16"	250 - 320	3500	2400 - 4000	800 - 870	350 - 400
9 LEGS 16"	295 - 345	3700	2700 - 4500	800 - 870	350 - 400
10 LEGS 16"	330 - 390	4500	3000 - 5000	800 - 870	350 - 400



Subsoiler

MODEL	T1 - 7 Hydraulic Roller	T1 - 9 Hydraulic Roller	T1 - 11 Hydraulic Roller
Weight (kg)	1020	1240	1375
Work width (mm)	2450	3150	3850
Required Power (hp)	75 - 100	90 - 120	100 - 140
Working Depth (mm)	400 - 500	400 - 500	400 - 500



Self-Contained Goble with Straps

MODEL	Disc Dia (mm)	Total Width (mm)	Height (mm)	Lenght (Cm)	Working Width (cm)	Weight (kg)	Power (hp)
T2 - 16	560	2450	2000	1700	2000	1500	70 - 95
T2 - 20	560	2980	2000	1700	2500	1750	80 - 100
T2 - 24	560	3470	2000	1700	3000	1950	105 - 125
T2 - 28	560	3960	2000	1700	3500	2150	130 - 150



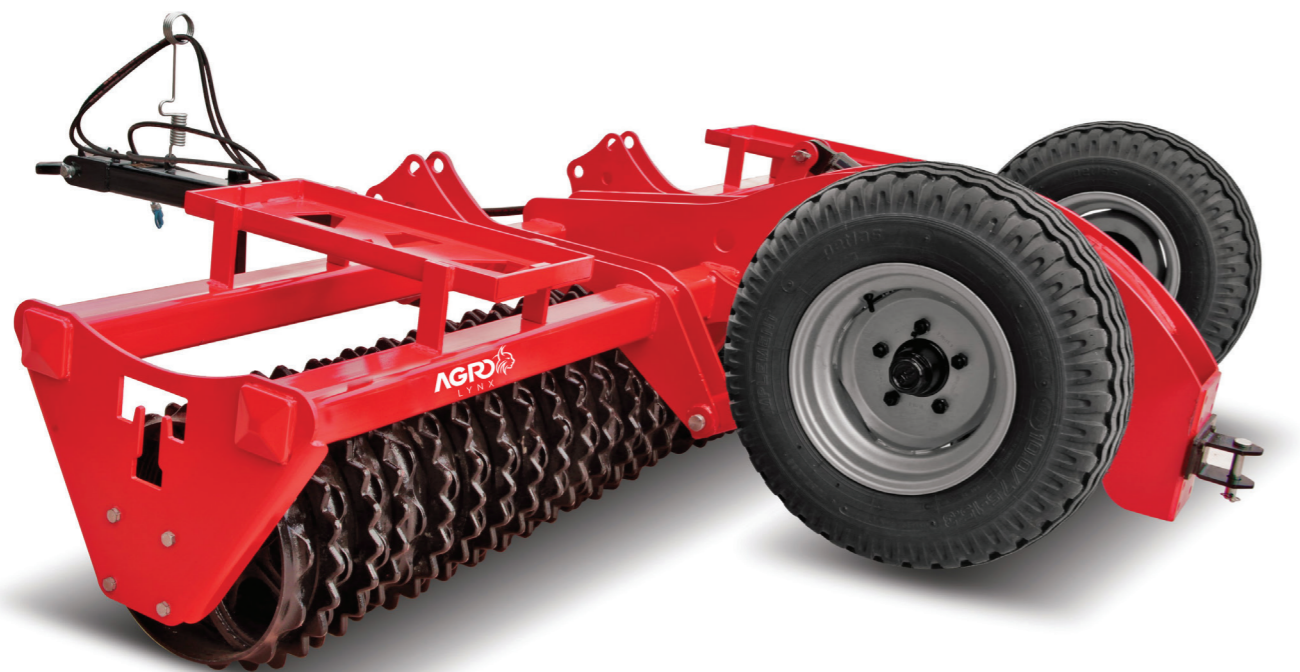
Hydropneumatic Subsoiler

MODEL	Leg (pcs)	Weight (Kg)	Working Width (cm)	Total Width (mm)	Working Depth Max (cm)	Power (hp)
T3-5	5	1025	175	195	65	75-85
T3-7	7	1325	245	265	65	90-110
T3-9	9	1600	315	335	65	120-140



Pressure Spring Cultivator

MODEL	Width (mm)	Number of Legs	Weight (kg)	Power (hp)
T4-11	2850	11	920	60-90
T4-13	3400	13	1080	80-110
T4-15	3900	15	1200	90-125



Steel Casting Platen

MODEL	Roller Space (mm)	Width (mm)	Height (mm)	Length (mm)	Working Width (mm)	Weight (Kg)
T-5 3200	510	3470	2550	2250	3200	1350
T-5 3500	510	3795	2550	2250	3500	1500
T-5 4000	510	4260	2550	2250	4000	1650



Folding Steel Casting Platen

MODEL	Roller Diameter	Working Width (mm)	Road Width (mm)	Weight (kg)	Power (hp)
T6 - 3200	510	3200	3400	1350	50-65
T6 - 4000	510	4000	4200	1550	55-75
T6 - 6000	510	6000	2300	3400	90-100



Multi Diskarow

MODEL	Number of Disc	Disc Space (mm)	Power (hp)	Weight (kg)	Disc Diameter (mm)	Working Width (mm)
T5-16	16	250	65-75	1850	600	2000
T5-20	20	250	80-100	2150	600	2500
T5-24	24	250	100-115	2350	600	3000
T5-28	28	250	110-130	2500	600	3500



Heavy Duty Retractable Type Goble Diskarow

MODEL	Number of Disc	Disc Space (mm)	Power (hp)	Weight (kg)	Disc Diameter (mm)	Working Width (mm)
T9-18	18	220	55-65	1730	610	200
T9-20	20	220	65-75	1800	610	220
T9-22	22	220	75-85	1870	610	240
T9-24	24	220	85-95	1950	610	260
T9-26	26	220	100-110	2050	610	280
T9-28	28	220	110-120	2120	610	300
T9-30	30	220	120-130	2190	610	320
T9-32	32	220	130-140	2260	610	340
T9-34	34	220	140-150	2330	610	360
T9-36	36	220	150-160	2400	610	380



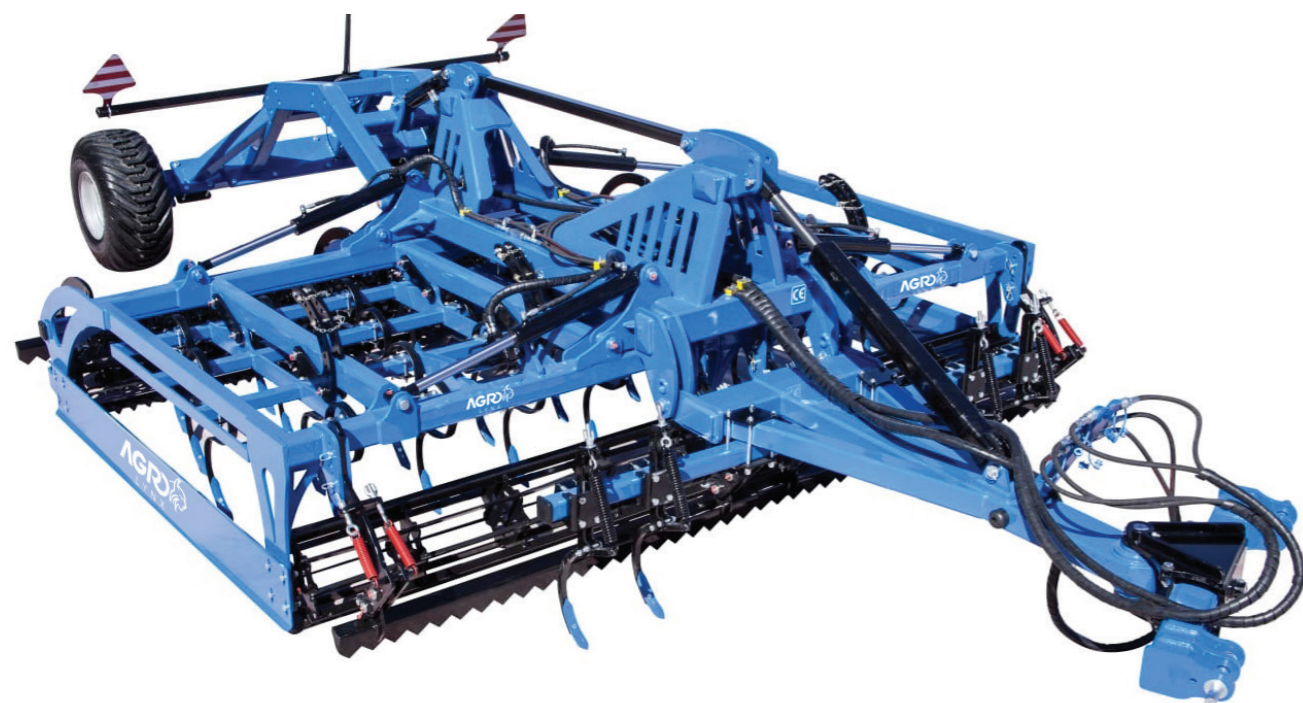
Discaro

MODEL	Number of Disc	Disc Space (mm)	Weight (kg)	Disc Diameter (mm)	Working Width (mm)	Power (hp)
T-9 24	24	175	770	510	200	50-60
T-9 28	28	175	775	510	235	70-80
T-9 32	32	175	850	510	270x	90-100



Front Roller Serisi

MODEL	Weight (kg)	Cylinder Diameter (cm)	Working Width (mm)	Leveling Rod
T10 - 2500	875	61	2500	Manuel
T10 - 3000	1050	61	3000	Manuel
T-10 - 4000	1345	61	4000	Manuel



Kompakto Series

T11-S3000	3 Mt Mounted Type Fired Frame Combined Seedbed Cultivator 4 Row S Tines Legs (45x12)
T11- S3500	3,5 Mt Mounted Type Fired Frame Combined Seedbed Cultivator 4 Row S Tines Legs (45x12)
T11- F4000	4 Mt Mounted Type Fired Frame Combined Seedbed Cultivator 4 Row S Tines Legs (45x12)
T11- FT4000	4 Mt Trailed Type Fired Frame Combined Seedbed Cultivator 4 Row S Tines Legs (45x12)
T11 - FT4500	4,5 Mt Trailed Type Fired Frame Combined Seedbed Cultivator 4 Row S Tines Legs (45x12)
T11- FT5000	5 Mt Trailed Type Fired Frame Combined Seedbed Cultivator 4 Row S Tines Legs (45x12)
TT1 - FT5500	5,5 Mt Trailed Type Fired Frame Combined Seedbed Cultivator 4 Row S Tines Legs (45x12)
T11 - FT6000	6 Mt Trailed Type Fired Frame Combined Seedbed Cultivator 4 Row S Tines Legs (45x12)

Folding and Pulling Independent Diskaro

MODEL	Number of Disc	Disc Space (mm)	Power (hp)	Weight (kg)	Disc Diameter (mm)	Working Width (mm)
T12 - 16	16	250 mm	65-75	1200	550	2000
T12 - 20	20	250 mm	80-100	1650	550	2500
T12 - 24	24	250 mm	100-115	1750	550	3000
T12 - 28	28	250 mm	110-130	2000	550	3500
T12 - 32	32	250 mm	130-150	2300	550	4000
T12 - 36	36	250 mm	150-170	2450	550	4500
T12 - 40	40	250 mm	170-210	2600	550	5000



Three-Row Tine Cultivator

MODEL	Width (m)	Working Depth	Number of Legs	Power (Hp)	Weight (kg)
T13 - 3000	3	60-350	10	140-200	1700
T13 - 4000	4	60-350	13	180-280	2300

Two-row Tine Cultivator

MODEL	Width (m)	Working Width (mm)	Number of Legs	Power (Hp)	Weight (kg)
T13 - 7	2400	60 - 350	7	85 - 100	1200
T13 - 9	3100	60 - 350	9	105 - 125	1400
T13 - 11	3800	60 - 350	11	125 - 145	1600



Spring Independent Discarrow

MODEL	Disc Diameter (mm)	Work Width (mm)	Disc Space (mm)	Weight (kg)	Power (hp)
T15 - 16	610	2000	250	1250	55-65
T15 - 18	610	2250	250	1370	65-75
T15 - 20	610	2500	250	1460	75-85
T15 - 22	610	2750	250	1650	85-95
T15 - 24	610	3000	250	1760	95-110
T15 - 28	610	3500	250	1970	120-140
T15 - 32	610	4000	250	2190	145-170



**Standard Field Type Rotovator
with Double Output**

ROTOVATOR K1

Technical Features	K1- 360	K1 - 410	K1 - 460	K1 - 510
Width (cm)	359	409	459	509
Length (cm)	189	189	189	189
Height (cm)	130	130	130	130
Weight (with pipes or with raked) (kg)	1650 / 1750	1700 / 1800	1750 / 1850	1800 / 1900
Work Width (cm)	330	380	430	480
Depth of work (cm)	20	20	20	20
Roller Type	with pipe and raked			
Number of Blade	78	90	102	114
Blade Hardness	47	47	47	47
Type of Blade	C or L type			
Number of Explosions	5	5	5	7
Type of Crankcase Oil	SAE140	SAE140	SAE140	SAE140
Crankcase Oil Amount (lt)	4	4	4	4
Crankcase Oil Change (h)	300	300	300	300
Required Power (hp)	100 / 120	120 / 130	130 / 150	140 / 150
Operation Speed (rpm/min)	540 - 750 - 1000			
Gear Box	K1- 360	K1 - 410	K1 - 460	K1 - 510
Flip Rate (fast and normal cycle)	1:0,78 - 1: 0,60			
Input Circuit (rpm/min)	540 - 1000			
Output Circuit (rpm/min)	415 - 328 / 780 - 607			
Usage Area	ROTOVATOR			
Type of Oil	SAE140			
Oil Volume (lt)	10			
Oil Change (h)	300			



Heavy Type Vertical Milling Machine

	K2 - 2500	K2 - 3000	K2 - 3500	K2 - 4000
Work Width (cm)	2500	3000	3500	4000
Operation Speed (rpm/min)	59 - 103 / 80 - 140	66 - 103 / 90 - 140	81 - 118 / 110 - 160	88 - 118 / 120 - 160
Width (cm)	260	310	360	410
Number of Anchor (cm)	20	24	28	32
Weight (kg)	1250	1450	1550	1730
Depth of work (cm)	28	28	28	28



Mini Stationary Garden Type Rotovator

ROTOVATOR K3

Technical Features	K3- 100	K3 - 120	K3 - 140	K3 - 160
Width (cm)	122	140	150	177
Lenght (cm)		77		
Height (cm)		795		
Weight (kg)	240	260	280	300
Work Width (cm)	100	120	140	160
Depth of work (cm)	15	15	15	15
Number of Blade	30	36	42	48
Blade Hardness	47	47	47	47
Type of Blade	C type			
Type of Crankcase Oil	SAE140	SAE140	SAE140	SAE140
Crankcase Oil Amount (lt)	2,5	2,5	2,5	2,5
Crankcase Oil Change (h)	300	300	300	300
Required Power (hp)	20 / 35	25 / 35	35 / 45	45 / 55
Operation Speed (rpm/min)	540			
Gear Box	K1- 360	K1 - 410	K1 - 460	K1 - 510
Flip Rate		0,68		
Input Circuit (rpm/min)		540		
Output Circuit (rpm/min)		369		
Usage Area	ROTOVATOR			
Type of Oil	SAE140			
Oil Vvolume (lt)	0,8			
Oil Change (h)	300			

Standard Garden Type Hydraulic Rotovator

ROTOVATOR K4

Technical Features	K4- 160	K4 - 185	K4 - 210	K4 - 235
Width (cm)	180	205	230	255
Lenght (cm)		100		
Height (cm)		110		
Weight (kg)	450	480	510	540
Capacity of Work	22<->22			
Work Width (cm)	160	185	210	235
Depth of work (cm)	20	20	20	20
Number of Blade	36	42	48	54
Blade Hardness	47	47	47	47
Type of Blade	C or L type			
Type of Crankcase Oil	SAE140	SAE140	SAE140	SAE140
Crankcase Oil Amount (lt)	3,5	3,5	3,5	3,5
Crankcase Oil Change (h)	300	300	300	300
Required Power (hp)	40 / 50	50 / 60	60 / 70	70 / 80
Operation Speed (rpm/min)	540			
Gear Box	K1- 360	K1 - 410	K1 - 460	K1 - 510
Flip Rate		0,51		
Input Circuit (rpm/min)		540		
Output Circuit (rpm/min)		279		
Usage Area	ROTOVATOR			
Type of Oil	SAE140			
Oil Vvolume (lt)	3			
Oil Change (h)	300			



Standard Garden Type Mechanical Rotovator

ROTOVATOR K5

Technical Features	K5 - 160	K5 - 185	K5 - 210	K5 - 235
Width (cm)	180	205	230	255
Lenght (cm)	81			
Height (cm)	110			
Weight (kg)	410	440	47	500
Work Width (cm)	155	180	210	230
Depth of work (cm)	20	20	20	20
Number of Blade	36	42	48	54
Blade Hardness	47	47	47	47
Type of Blade	C or L type			
Type of Crankcase Oil	SAE140	SAE140	SAE140	SAE140
Crankcase Oil Amount (lt)	3,5	3,5	3,5	3,5
Crankcase Oil Change (h)	300	300	300	300
Required Power (hp)	40 / 45	50 / 60	60 / 70	70 / 80
Operation Speed (rpm/min)	540			
Gear Box	K4 - 160	K4 - 185	K4 - 210	K4 - 235
Flip Rate	0,53			
Input Circuit (rpm/min)	540			
Output Circuit (rpm/min)	290			
Usage Area	ROTOVATOR			
Type of Oil	SAE140			
Oil Vlolume (lt)	3			
Oil Change (h)	300			

Standard Garden Type Mechanical Rotovator

ROTOVATOR K6

Technical Features	K6 - 160	K6 - 185	K6 - 210	K6 - 235
Width (cm)	180	205	230	255
Lenght (cm)	81			
Height (cm)	110			
Weight (kg)	430	460	490	520
Work Width (cm)	155	180	210	230
Depth of work (cm)	20	20	20	20
Number of Blade	36	42	48	54
Blade Hardness	47	47	47	47
Type of Blade	C or L type			
Type of Crankcase Oil	SAE140	SAE140	SAE140	SAE140
Crankcase Oil Amount (lt)	3,5	3,5	3,5	3,5
Crankcase Oil Change (h)	300	300	300	300
Required Power (hp)	40 / 45	50 / 60	60 / 70	70 / 80
Operation Speed (rpm/min)	540			
Gear Box	K6 - 160	K6 - 185	K6 - 210	K6 - 235
Flip Rate	0,55			
Input Circuit (rpm/min)	540			
Output Circuit (rpm/min)	280			
Usage Area	ROTOVATOR			
Type of Oil	SAE140			
Oil Vlolume (lt)	3			
Oil Change (h)	300			



Standard Field Type Rotovator

ROTOVATOR K - 7

Technical Features	K7 - 210	K7 - 235	K7 - 265	K7 - 300	K7 - 315	K7 - 340
Width (cm)	233	258	293	318	343	368
Length (cm)	158	158	168	168	168	168
Height (cm)	126					
Weight (with pipes or with raked) (kg)	840 / 950	880 / 990	1040 / 1150	1120 / 1230	1250 / 1350	1550 / 1600
Work Width (cm)	205	230	265	290	315	340
Depth of work (cm)	20	20	20	20	20	20
Roller Type	with pipe and raked					
Number of Blade	48	54	60	66	72	78
Blade Hardness	47	47	47	47	47	47
Type of Blade	C or L type					
Type of Crankcase Oil	SAE140	SAE140	SAE140	SAE140	SAE140	SAE140
Crankcase Oil Amount (lt)	4	4	4	4	4	4
Crankcase Oil Change (h)	300	300	300	300	300	300
Required Power (hp)	60 / 70	70 / 80	80 / 90	90 / 100	100 / 110	110 / 120
Operation Speed (rpm/min)	540					
Gear Box	K7 - 210	K7 - 235	K7 - 265	K7 - 300	K7 - 315	K7 - 340
Flip Rate	0,378-0,437-0,533-0,616	0,378-0,437-0,533-0,616	0,375-0,441-0,488-0,573	0,375-0,441-0,488-0,573	0,375-0,441-0,488-0,573	0,375-0,441-0,488-0,573
Input Circuit (rpm/min)	540					
Output Circuit (rpm/min)	204 - 236 - 288 - 333					
Usage Area	ROTOVATOR					
Type of Oil	SAE140					
Oil Volume (lt)	5	5	7	7	7	7
Oil Change (h)	300					

AGX-TK-K1



Cultivators

CULTIVATORS	K1 - 700	K1 - 900	K1 - 1100	K1 - 1300	K1 - 1500
Lenght (cm)	170	212	274	326	383
Width (cm)	109	109	109	109	109
Height (cm)	123	123	123	123	123
Work Widht (cm)	166	212	258	304	360
Depth of Work (cm)	25	25	25	25	25
Weight (kg)	308	470	570	660	660
Required Power (hp)	35 - 50	50 - 65	65 - 75	75 - 85	85 - 90

AGX-TK-K2



Cultivators

CULTIVATORS	K2 - 700	K2 - 900	K2 - 1100	K2 - 1300	K2 - 1500
Lenght (cm)	170	212	274	326	310
Width (cm)	109	109	109	109	109
Height (cm)	119	119	119	119	119
Work Widht (cm)	166	212	304	304	360
Depth of Work (cm)	25	25	25	25	25
Weight (kg)	300	380	460	520	600
Required Power (hp)	35 - 50	50 - 65	65 - 75	75 - 85	85 - 90



Rotary Rake

AGX - TMK (Double Rotary Rake)	K1 - 900	K1 - 1100	K1 - 1300	K2 - 1500
Rotary Roller Width (mm)	1090	1360	1560	1090 - 1360
Width (mm)	2300	2800	3200	3750
Length (mm)	1430	1430	1430	1430
Height (mm)	730	730	730	730
Work Width (mm)	2200	2700	3100	3650
Weight (kg)	270	300	330	450
Front Roller Diameter (mm)	270	270	270	270
Rear Roller Diameter (mm)	245	245	245	245
Roller Material	ST 52			
Connection Type	The Back Of The Crowbar			

AGX - TMK (Single Rotary Rake)	K1 - 900	K1 - 1100	K1 - 1300
Rotary Roller Width (mm)	1090	1360	1560
Width (mm)	2210	2750	3150
Length (mm)	915	915	915
Height (mm)	710	710	710
Work Width (mm)	2090	2630	3030
Weight (kg)	130	150	170
Roller Diameter (mm)	270	270	270
Roller Material	ST 52		
Connection Type	The Back Of The Crowbar		

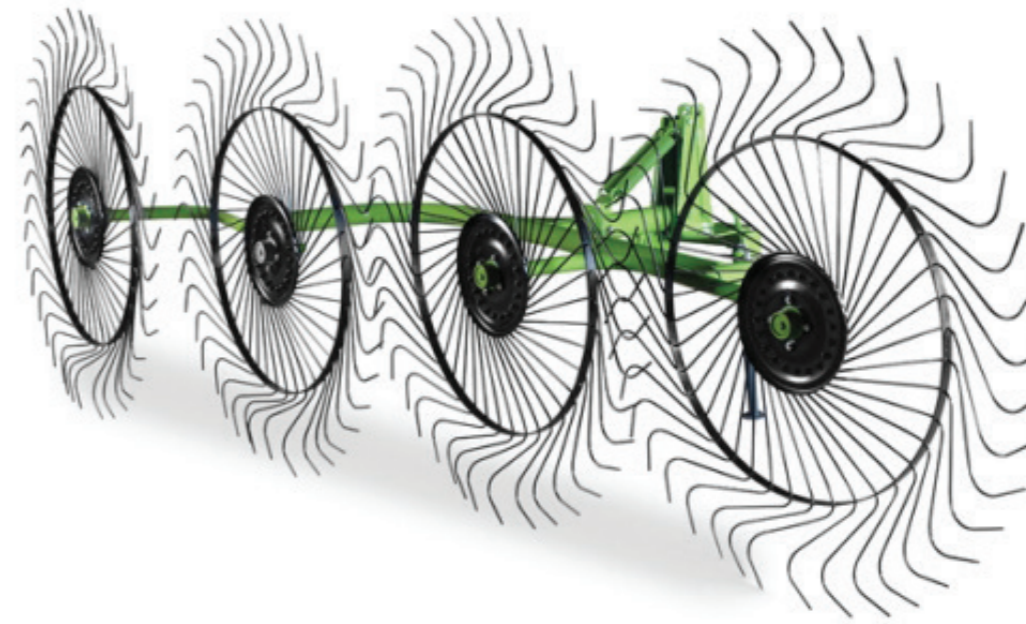
Hydraulic Rotary Rake

AGX - TMK	K2 - 900	K2 - 1100	K2 - 1300	K2 - 1500
Rotary Roller Width (mm)	1090	1360	1530	1090 - 1360
Width (mm)	2400	2900	3300	3850
Length (mm)	1430	1430	1430	1430
Height (mm)	730	730	730	730
Work Width (mm)	2200	2700	3100	3650
Weight (kg)	350	400	450	500
Front Roller Diameter (mm)	340	340	340	340
Rear Roller Diameter (mm)	250	250	250	250
Roller Material	ST 52			
Connection Type	The Back Of The Crowbar			



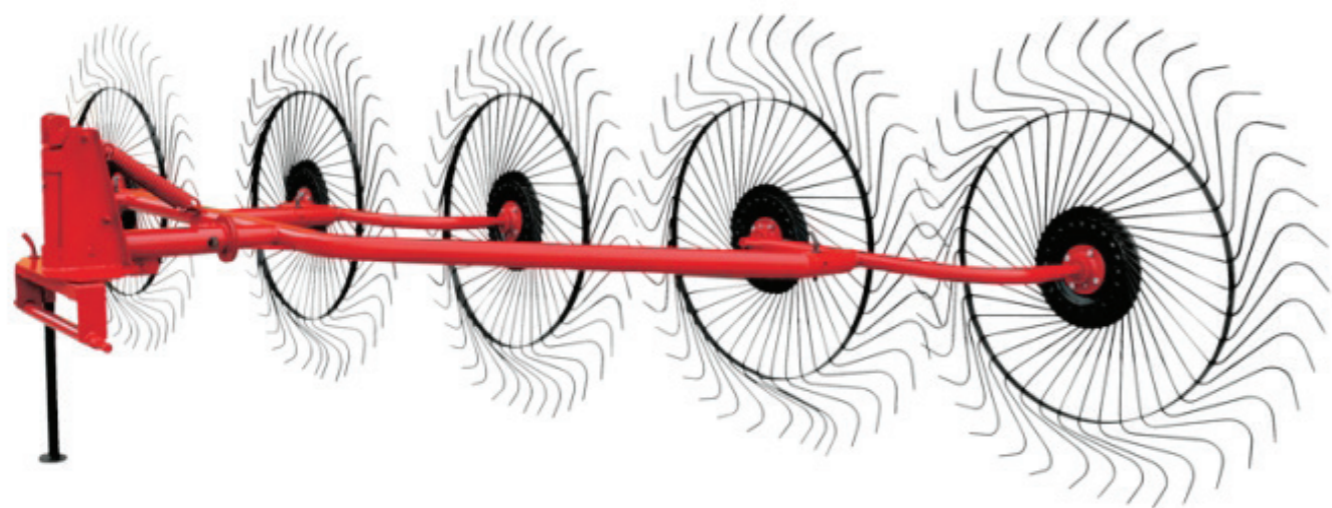
Helicopter Weed Collection Rake

Work Width (m)	Width (m)	Number of Legs	Number of springs	Required Power	Weight
3,3	1,5	9	3	45 Hp	360 kg



4-piece Acrobat Weed Ball Rake

chassis	Bears	Rods	Weight	Required power	Capacity
steel pipe	10	Spring core with special halide	150 kg	25 hp +	370 cm



5-piece Acrobat Weed Ball Rake

chassis	Bears	Rods	Weight	Required power	Capacity
steel pipe	10	Spring core with special halide	150 kg	25 hp +	370 cm

SEEDING MACHINES
AGX - E

**A. Pneumatic Seeding Machines
AGX - EP**



Pneumatic Precision Seeding Machines with Disc and Without Fertilizer

TECHNICAL FEATURES	UNIT	4 Row		6 Row		8 Row	
		Fertilizer	Without Fertilizer	Fertilizer	Without Fertilizer	Fertilizer	Without Fertilizer
Width	Mm	2800	2800	4000	4000	5600	5600
Height	Mm	1600	1500	1600	1500	1600	1500
Length	Mm	2300	2300	2300	2300	2300	2300
Seed Tank Volume	Lt	4 x 35	4 x 35	6 x 35	6 x 35	8 x 35	8 x 35
Fertilizer Tank Volume	Lt	2 x 160	x	2 x 200	x	2x240	x
Disk Hole Diameter	Mm	1.Haz	1.Haz	1.Haz	1.Haz	1.Haz	1.Haz
Disk Number of Holes	Pcs	variable	variable	variable	variable	variable	variable
Distance between Rows	Cm	45 - 70 - 75	45 - 70 - 75	45 - 70 - 75	45 - 70 - 75	45 - 70 - 75	45 - 70 - 75
Distance Row	Cm	1 - 177	1 - 177	1 - 177	1 - 177	1 - 177	1 - 177
Working Speed	Km/h	6.Ağu	6.Ağu	6.Ağu	6.Ağu	6.Ağu	6.Ağu
Required Power	Hp	70 - 80	70 - 80	90- 110	90- 110	110- 130	110-130
Weight	kg	1100	900	1400	1200	1650	1450

Pneumatic Precision Seeding Machines with Disc and Fertilizer

TECHNICAL FEATURES	UNIT	4 Row		6 Row		8 Row	
		Fertilizer	Without Fertilizer	Fertilizer	Without Fertilizer	Fertilizer	Without Fertilizer
Width	Mm	2800	2800	4000	4000	5600	5600
Height	Mm	1600	1500	1600	1500	1600	1500
Length	Mm	2300	2300	2300	2300	2300	2300
Seed Tank Volume	Lt	4 x 35	4 x 35	6 x 35	6 x 35	8 x 35	8 x 35
Fertilizer Tank Volume	Lt	2 x 160	x	2 x 200	x	2x240	x
Disk Hole Diameter	Mm	1.Haz	1.Haz	1.Haz	1.Haz	1.Haz	1.Haz
Disk Number of Holes	Pcs	variable	variable	variable	variable	variable	variable
Distance between Rows	Cm	45 - 70 - 75	45 - 70 - 75	45 - 70 - 75	45 - 70 - 75	45 - 70 - 75	45 - 70 - 75
Distance Row	Cm	1 - 177	1 - 177	1 - 177	1 - 177	1 - 177	1 - 177
Working Speed	Km/h	6.Ağu	6.Ağu	6.Ağu	6.Ağu	6.Ağu	6.Ağu
Required Power	Hp	70 - 80	70 - 80	90- 110	90- 110	110- 130	110-130
Weight	kg	1100	900	1400	1200	1650	1450



Precision Pneumatic Seeding Machine with Disc Type Fertilizer

TECHNICAL FEATURES	UNIT	4 Row		6 Row		8 Row	
		Fertilizer	Without Fertilizer	Fertilizer	Without Fertilizer	Fertilizer	Without Fertilizer
Width	Mm	2800	2800	4000	4000	5600	5600
Height	Mm	1600	1500	1600	1500	1600	1500
Length	Mm	2300	2300	2300	2300	2300	2300
Seed Tank Volume	Lt	4 x 35	4 x 35	6 x 35	6 x 35	8 x 35	8 x 35
Fertilizer Tank Volume	Lt	2 x 160	x	2 x 200	x	2x240	x
Disk Hole Diameter	Mm	1.Haz	1.Haz	1.Haz	1.Haz	1.Haz	1.Haz
Disk Number of Holes	Pcs	variable	variable	variable	variable	variable	variable
Distance between Rows	Cm	45 - 70 - 75	45 - 70 - 75	45 - 70 - 75	45 - 70 - 75	45 - 70 - 75	45 - 70 - 75
Distance Row	Cm	1 - 177	1 - 177	1 - 177	1 - 177	1 - 177	1 - 177
Working Speed	Km/h	6.Ağu	6.Ağu	6.Ağu	6.Ağu	6.Ağu	6.Ağu
Required Power	Hp	70 - 80	70 - 80	90 - 110	90 - 110	110 - 130	110 - 130
Weight	kg	1100	900	1400	1200	1650	1450

Precision Pneumatic Bread Machine with Disc Type Fertilizer-free Full Telescopic Slide

TECHNICAL FEATURES	UNIT	6 Row	
		Fertilizer	Without Fertilizer
Width	Mm	4000	4000
Height	Mm	1600	1500
Length	Mm	2300	2300
Seed Tank Volume	Lt	6 x 35	6 x 35
Fertilizer Tank Volume	Lt	2 x 200	x
Disk Hole Diameter	Mm	1.Haz	1.Haz
Disk Number of Holes	Pcs	variable	variable
Distance between Rows	Cm	45 - 50 - 55 - 60 - 65 - 70	45 - 50 - 55 - 60 - 65 - 70
Distance Row	Cm	1 - 177	1 - 177
Working Speed	Km/h	6.Ağu	6.Ağu
Required Power	Hp	90 - 110	110 - 130
Weight	kg	1450	1250



Full Telescopic Sliding Precision Pneumatic Seeding Machine with Disc Type Fertilizer

TECHNICAL FEATURES	UNIT	6 Row	
		Fertilizer	Without Fertilizer
Width	Mm	4000	4000
Height	Mm	1600	1500
Length	Mm	2300	2300
Seed Tank Volume	Lt	6 x 35	6 x 35
Fertilizer Tank Volume	Lt	2 x 200	x
Disk Hole Diameter	Mm	1.Haz	1.Haz
Disk Number of Holes	Pcs	variable	variable
Distance between Rows	Cm	45 - 50 -55 -60 -65 - 70	45 - 50 -55 -60 -65 - 70
Distance Row	Cm	1 - 177	1 - 177
Working Speed	Km/h	6.Ağu	6.Ağu
Required Power	Hp	90- 110	110- 130
Weight	kg	1450	1250

Precision Pneumatic Bread Machine with Disc Type Fertilizer-free Full Telescopic Slide

TECHNICAL FEATURES	UNIT	4 Row		6 Row		8 Row	
		Fertilizer	Without Fertilizer	Fertilizer	Without Fertilizer	Fertilizer	Without Fertilizer
Width	Mm	2800	2800	4000	4000	5600	5600
Height	Mm	1600	1500	1600	1500	1600	1500
Length	Mm	2300	2300	2300	2300	2300	2300
Seed Tank Volume	Lt	4 x 35	4 x 35	6 x 35	6 x 35	8 x 35	8 x 35
Fertilizer Tank Volume	Lt	2 x 160	x	2 x 200	x	2x240	x
Disk Hole Diameter	Mm	1.Haz	1.Haz	1.Haz	1.Haz	1.Haz	1.Haz
Disk Number of Holes	Pcs	variable	variable	variable	variable	variable	variable
Distance between Rows	Cm	45 - 70 - 75	45 - 70 - 75	45 - 70 - 75	45 - 70 - 75	45 - 70 - 75	45 - 70 - 75
Distance Row	Cm	1 - 177	1 - 177	1 - 177	1 - 177	1 - 177	1 - 177
Working Speed	Km/h	6.Ağu	6.Ağu	6.Ağu	6.Ağu	6.Ağu	6.Ağu
Required Power	Hp	70 - 80	70 - 80	90- 110	90- 110	110- 130	110-130
Weight	kg	1100	900	1400	1200	1650	1450



**Precision Pneumatic Seeder with
Disc Type Fertilizer**

TECHNICAL FEATURES	UNIT	4 Row		6 Row		8 Row	
		Fertilizer	Without Fertilizer	Fertilizer	Without Fertilizer	Fertilizer	Without Fertilizer
Width	Mm	2800	2800	4000	4000	5600	5600
Height	Mm	1600	1500	1600	1500	1600	1500
Length	Mm	2300	2300	2300	2300	2300	2300
Seed Tank Volume	Lt	4 x 35	4 x 35	6 x 35	6 x 35	8 x 35	8 x 35
Fertilizer Tank Volume	Lt	2 x 160	x	2 x 200	x	2x240	x
Disk Hole Diameter	Mm	1.Haz	1.Haz	1.Haz	1.Haz	1.Haz	1.Haz
Disk Number of Holes	Pcs	variable	variable	variable	variable	variable	variable
Distance between Rows	Cm	45 - 70 - 75	45 - 70 - 75	45 - 70 - 75	45 - 70 - 75	45 - 70 - 75	45 - 70 - 75
Distance Row	Cm	1 - 177	1 - 177	1 - 177	1 - 177	1 - 177	1 - 177
Working Speed	Km/h	6.Ağu	6.Ağu	6.Ağu	6.Ağu	6.Ağu	6.Ağu
Required Power	Hp	70 - 80	70 - 80	90- 110	90- 110	110- 130	110-130
Weight	kg	1100	900	1400	1200	1650	1450



**Disc Type Fertilizer- Without Fertilizer
Precision Pneumatic Seeder**

TECHNICAL FEATURES	UNIT	4 Row		6 Row		8 Row	
		Fertilizer	Without Fertilizer	Fertilizer	Without Fertilizer	Fertilizer	Without Fertilizer
Width	Mm	2800	2800	4000	4000	5600	5600
Height	Mm	1600	1500	1600	1500	1600	1500
Length	Mm	2300	2300	2300	2300	2300	2300
Seed Tank Volume	Lt	4 x 35	4 x 35	6 x 35	6 x 35	8 x 35	8 x 35
Fertilizer Tank Volume	Lt	2 x 160	x	2 x 200	x	2x240	x
Disk Hole Diameter	Mm	1.Haz	1.Haz	1.Haz	1.Haz	1.Haz	1.Haz
Disk Number of Holes	Pcs	variable	variable	variable	variable	variable	variable
Distance between Rows	Cm	45 - 70 - 75	45 - 70 - 75	45 - 70 - 75	45 - 70 - 75	45 - 70 - 75	45 - 70 - 75
Distance Row	Cm	1 - 177	1 - 177	1 - 177	1 - 177	1 - 177	1 - 177
Working Speed	Km/h	6.Ağu	6.Ağu	6.Ağu	6.Ağu	6.Ağu	6.Ağu
Required Power	Hp	70 - 80	70 - 80	90- 110	90- 110	110- 130	110-130
Weight	kg	1100	900	1400	1200	1650	1450



Chickpea Seeder

MODEL	Number of Legs	Working Width (cm)	Width (kg)	Distance between Legs (mm)	Power (Hp)
TN - 11	11	2250	770	220	70 - 80
TN - 13	13	2700	910	220	85 - 95
TN - 15	15	3150	1050	220	100 -110

AGX-EH-TS



Sesame Seed Drill

TECHNICAL FEATURES	UNIT	
Seed Capacity	KG	350
Total Length	mm	6500
Total Width	mm	3700
Total Height	mm	1240
Line Width	mm	5800
Work Width	mm	4100
Width between seed legs	mm	175
Wheel Measures	mm	750 X 16

**B. Grain Seeding Machines
AGX-EH**



Grain Seeding

	TS - 14	TS - 16	TS - 18	TS - 20	TS - 22	TS - 24	TS - 26
WEIGHT (kg)	945 KG	1020 KG	1090 KG	1150 KG	1250 KG	1350 KG	1450 KG
Total Length(mm)	3000	3000	3000	3000	3000	3000	3000
Total Width(mm)	2700	3000	3270	3550	3795	4040	4285
Total Height(mm)	1450	1450	1450	1450	1550	1550	1550
Working Width(mm)	2150	2430	2710	3000	3280	3560	3840
Planter Tine Spacing (mm)	140	140	140	140	140	140	140
Wheel Diameters	750X16	750X16	750X16	10.75/15.3	11.05.1980	11.05.1980	11.05.1980
Seed Capacity	290	310	340	370	400	430	460
Fertilizer Capacity	230	250	270	290	310	330	350
Power (hp)	35-40	40-45	50-55	55-60	65-70	75-80	85-95

End Spring Pressure Wheel Solving Machine

	16 PCS.	18 PCS.	20 PCS.	22 PCS.	24 PCS.	28 PCS.	32 PCS.
NUMEBER OF LEGS	16 PCS.	18 PCS.	20 PCS.	22 PCS.	24 PCS.	28 PCS.	32 PCS.
INTER-ROW DISTANCE	125 mm	125 mm	125 mm	125 mm	125 mm	125 mm	125 mm
OPERATION WİTĐH	2000 mm	2250 mm	2500 mm	2750 mm	3000 mm	3250 mm	3500 mm
HANDLING WIDTH	2235 mm	2485 mm	2735 mm	2985 mm	3135 mm	3735 mm	4235 mm
HANDLİND HEIGHT	1500 mm	1500 mm	1500 mm	1500 mm	1500 mm	1500 mm	1500 mm
SEED TANK VOLUME	260 lt	300 lt	340 lt	360 lt	400 lt	440 lt	465 lt
FETİLİZER TANK VOLUME	240 lt	270 lt	305 lt	340 lt	370 lt	400 lt	425 lt
TANK VOLUME WITHOUT FETİLİZER	520 lt	585 lt	650 lt	715 lt	785 lt	945 lt	1020 lt
SIZE OF TİRE	500 - 12	500 - 12	500 - 12	600 - 16	600 - 16	600 - 16	600 - 16
OPERTİON SPPEĐ	5 - 8 km/h	5 - 8 km/h	5 - 8 km/h	5 - 8 km/h	5 - 8 km/h	5 - 8 km/h	5 - 8 km/h
WEİGHĐ	720 kg	750 kg	770 kg	790 kg	815 kg	1050 kg	1150 kg
REQUİRED POWER	40 - 50 hp	50 - 60 hp	60 - 70 hp	70 - 80 kg	80 - 90 kg	100 - 110 kg	110 - 120 kg



Spring Chisel Food Seeder

NUMEBER OF LEGS	UNITS	21 pcs.	25 pcs.	29 pcs.	33 pcs.
INTER-ROW DISTANCE	mm	120	120	120	120
OPERATION WİTDH	mm	2500	3000	3500	4000
HANDLING WIDTH	mm	2735	3235	3735	4235
HANDLİND HEIGHT	mm	1500	1500	1500	1500
SEED TANK VOLUME	lt	460	550	640	730
FETİLİZER TANK VOLUME	lt	305	370	400	425
TANK VOLUME WITHOUT FETİLİZER	lt	750	950	1150	1350
SIZE OF TİRE	x	600 - 16	600 - 16	600 - 16	600 - 16
OPERTİON SPPED	km/h	5.Ağū	5.Ağū	5.Ağū	5.Ağū
WEİGT	kg	820	970	1150	1260
REQUİRED POWER	hp	70+	80+	100+	110+



Single Disc Seeder With Gearbox

NUMEBER OF LEGS	UNITS	19 pcs.	23 pcs.	27 pcs.	31 pcs.	39 pcs.	47 pcs.
INTER-ROW DISTANCE	mm	130	130	130	130	130	130
OPERATION WİTDH	mm	2500	3000	3500	4000	5000	6000
HANDLING WIDTH	mm	2735	3235	3735	4235	5350	6350
HANDLİND HEIGHT	mm	1500	1500	1500	1500	1500	1500
SEED TANK VOLUME	lt	460	550	640	730	910	1090
FETİLİZER TANK VOLUME	lt	305	370	400	425	480	535
TANK VOLUME WITHOUT FETİLİZER	lt	750	950	1150	1350	1750	2150
SIZE OF TİRE	x	600 - 16	600 - 16	600 - 16	600 - 16	10- 75 /13	10 -75 /13
OPERTİON SPPED	km/h	5.Ağū	5.Ağū	5.Ağū	5.Ağū	5.Ağū	5.Ağū
WEİGT	kg	850	1000	1180	1290	1580	1860
REQUİRED POWER	hp	70+	80+	100+	110+	130+	160+



Single Disc Wheel Seeder with Gearbox

NUMBER OF LEGS	UNITS	19 pcs.	23 pcs.	27 pcs.	31 pcs.	39 pcs.	47 pcs.
INTER-ROW DISTANCE	mm	130	130	130	130	130	130
OPERATION WİTDH	mm	2500	3000	3500	4000	5000	6000
HANDLING WIDTH	mm	2735	3235	3735	4235	5350	6350
HANDLİND HEIGHT	mm	1500	1500	1500	1500	1500	1500
SEED TANK VOLUME	lt	460	550	640	730	910	1090
FETILIZER TANK VOLUME	lt	305	370	400	425	480	535
TANK VOLUME WITHOUT FERTILIZER	lt	750	950	1150	1350	1750	2150
SIZE OF TIRE	x	600 - 16	600 - 16	600 - 16	600 - 16	10- 75 /13	10 -75 /13
OPERTION SPPED	km/h	5.Ağü	5.Ağü	5.Ağü	5.Ağü	5.Ağü	5.Ağü
WEIGHT	kg	850	1000	1180	1290	1580	1860
REQUIRED POWER	hp	70+	80+	100+	110+	130+	160+



Double Disc Wheel Seeder with Gearbox

NUMBER OF LEGS	UNITS	19 pcs.	23 pcs.	27 pcs.	31 pcs.	39 pcs.	47 pcs.
INTER-ROW DISTANCE	mm	130	130	130	130	130	130
OPERATION WİTDH	mm	2500	3000	3500	4000	5000	6000
HANDLING WIDTH	mm	2735	3235	3735	4235	5350	6350
HANDLİND HEIGHT	mm	1500	1500	1500	1500	1500	1500
SEED TANK VOLUME	lt	460	550	640	730	910	1090
FETILIZER TANK VOLUME	lt	305	370	400	425	480	535
TANK VOLUME WITHOUT FERTILIZER	lt	750	950	1150	1350	1750	2150
SIZE OF TIRE	x	600 - 16	600 - 16	600 - 16	600 - 16	10- 75 /13	10 -75 /13
OPERTION SPPED	km/h	5.Ağü	5.Ağü	5.Ağü	5.Ağü	5.Ağü	5.Ağü
WEIGHT	kg	1100	1190	1380	1530	2350	2760
REQUIRED POWER	hp	70+	80+	100+	110+	130+	160+



Double Disc Wheel Seeder With Gearbox

NUMBER OF LEGS	UNITS	19 pcs.	23 pcs.	27 pcs.	31 pcs.	39 pcs.	47 pcs.
INTER-ROW DISTANCE	mm	130	130	130	130	130	130
OPERATION WİTDH	mm	2500	3000	3500	4000	5000	6000
HANDLING WIDTH	mm	2735	3235	3735	4235	5350	6350
HANDLİND HEIGHT	mm	1500	1500	1500	1500	1500	1500
SEED TANK VOLUME	lt	460	550	640	730	910	1090
FETILIZER TANK VOLUME	lt	305	370	400	425	480	535
TANK VOLUME WITHOUT FERTILIZER	lt	750	950	1150	1350	1750	2150
SIZE OF TIRE	x	600 - 16	600 - 16	600 - 16	600 - 16	10- 75 /13	10 -75 /13
OPERTION SPPED	km/h	5.Ağü	5.Ağü	5.Ağü	5.Ağü	5.Ağü	5.Ağü
WEIGHT	kg	1100	1190	1380	1530	2350	1860
REQUIRED POWER	hp	70+	80+	100+	110+	130+	160+



Double Disc Wheel Seeder With Gearbox

NUMBER OF LEGS	UNITS	19 pcs.	23 pcs.	27 pcs.	31 pcs.	39 pcs.	47 pcs.
INTER-ROW DISTANCE	mm	130	130	130	130	130	130
OPERATION WİTDH	mm	2500	3000	3500	4000	5000	6000
HANDLING WIDTH	mm	2735	3235	3735	4235	5350	6350
HANDLİND HEIGHT	mm	1500	1500	1500	1500	1500	1500
SEED TANK VOLUME	lt	460	550	640	730	910	1090
FETILIZER TANK VOLUME	lt	305	370	400	425	480	535
TANK VOLUME WITHOUT FERTILIZER	lt	750	950	1150	1350	1750	2150
SIZE OF TIRE	x	600 - 16	600 - 16	600 - 16	600 - 16	10- 75 /13	10 -75 /13
OPERTION SPPED	km/h	5.Ağü	5.Ağü	5.Ağü	5.Ağü	5.Ağü	5.Ağü
WEIGHT	kg	1100	1190	1380	1530	2350	2760
REQUIRED POWER	hp	70+	80+	100+	110+	130+	160+



Single Disc Wheel Seeder With Gearbox

NUMBER OF LEGS	UNITS	19 pcs.	23 pcs.	27 pcs.	31 pcs.	39 pcs.	47 pcs.
INTER-ROW DISTANCE	mm	130	130	130	130	130	130
OPERATION WİTDH	mm	2500	3000	3500	4000	5000	6000
HANDLING WIDTH	mm	2735	3235	3735	4235	5350	6350
HANDLİND HEIGHT	mm	1500	1500	1500	1500	1500	1500
SEED TANK VOLUME	lt	460	550	640	730	910	1090
FETILIZER TANK VOLUME	lt	305	370	400	425	480	535
TANK VOLUME WITHOUT FERTILIZER	lt	750	950	1150	1350	1750	2150
SIZE OF TIRE	x	600 - 16	600 - 16	600 - 16	600 - 16	x	600 - 16
OPERTION SPPED	km/h	5.Ağū	5.Ağū	5.Ağū	5.Ağū	5.Ağū	5.Ağū
WEIGHT	kg	850	1000	1180	1290	1580	1860
REQUIRED POWER	hp	70+	80+	100+	110+	130+	160+

FERTILIZER SPREADER MACHINES
AGX - G

**A. Vertical Mixer Fertilizer
Spreader Machines
AGX - GD**



AGX GD - H850

Mixer Type	Vertical
Dispencer Disc Piece	2
number of disc	2
PTO Speed (s/min)	540
Operating speed (km/h)	8 - 10 - 12
Working Width (m)	10 - 24
Dry Weight (kg)	272
Fertilizer Filling Capacity (lt)	850
Height (cm)	152
Width (cm)	120



AGX GD - H1000

Mixer Type	Vertical
Dispencer Disc Piece	2
number of disc	2
PTO Speed (s/min)	540
Operating speed (km/h)	8 - 10 - 12
Working Width (m)	10 - 24
Dry Weight (kg)	282
Fertilizer Filling Capacity (lt)	1000
Height (cm)	163
Width (cm)	120



AGX GD - H1200

Mixer Type	Vertical
Dispencer Disc Piece	2
number of disc	2
PTO Speed (s/min)	540
Operating speed (km/h)	8 - 10 - 12
Working Width (m)	10 - 24
Dry Weight (kg)	300
Fertilizer Filling Capacity (lt)	1200
Height (cm)	174
Width (cm)	120



AGX GY - H900

Mixer Type	Horizontal
Dispencer Disc Piece	2
number of disc	2
PTO Speed (s/min)	540
Operating speed (km/h)	8 - 10 - 12
Working Width (m)	10 - 36
Dry Weight (kg)	406
Fertilizer Filling Capacity (lt)	900
Height (cm)	100
Width (cm)	205
Length (cm)	132



AGX -GY-H1200

Mixer Type	Horizontal
Dispencer Disc Piece	2
number of disc	2
PTO Speed (s/min)	540
Operating speed (km/h)	8 - 10 - 12
Working Width (m)	10 - 36
Dry Weight (kg)	440
Fertilizer Filling Capacity (lt)	1200
Height (cm)	113
Width (cm)	205
Length (cm)	132



AGX GY - H1500

Mixer Type	Horizontal
Dispencer Disc Piece	2
number of disc	2
PTO Speed (s/min)	540
Operating speed (km/h)	8 - 10 - 12
Working Width (m)	10 - 36
Dry Weight (kg)	474
Fertilizer Filling Capacity (lt)	1500
Height (cm)	126
Width (cm)	205
Length (cm)	132



AGX GY - H1800

Mixer Type	Horizontal
Dispencer Disc Piece	2
number of disc	2
PTO Speed (s/min)	540
Operating speed (km/h)	8 - 10 - 12
Working Width (m)	10 - 36
Dry Weight (kg)	474
Fertilizer Filling Capacity (lt)	1800
Height (cm)	139
Width (cm)	205
Length (cm)	132



AGX GY - H2000

Mixer Type	Horizontal
Dispencer Disc Piece	2
number of disc	2
PTO Speed (s/min)	540
Operating speed (km/h)	8 - 10 - 12
Working Width (m)	10 - 36
Dry Weight (kg)	542
Fertilizer Filling Capacity (lt)	2000
Height (cm)	152
Width (cm)	205
Length (cm)	132



AGX GY - H2500

Mixer Type	Horizontal
Dispencer Disc Piece	2
number of disc	2
PTO Speed (s/min)	540
Operating speed (km/h)	8 - 10 - 12
Working Width (m)	10 - 36
Dry Weight (kg)	576
Fertilizer Filling Capacity (lt)	2500
Height (cm)	165
Width (cm)	205
Length (cm)	132



AGX GY - H3000

Mixer Type	Horizontal
Dispencer Disc Piece	2
number of disc	2
PTO Speed (s/min)	540
Operating speed (km/h)	8 - 10 - 12
Working Width (m)	10 - 36
Dry Weight (kg)	610
Fertilizer Filling Capacity (lt)	3000
Height (cm)	178
Width (cm)	205
Length (cm)	132



AGX GY - H3500

Mixer Type	Horizontal
Dispencer Disc Piece	2
number of disc	2
PTO Speed (s/min)	540
Operating speed (km/h)	8 - 10 - 12
Working Width (m)	10 - 36
Dry Weight (kg)	700
Fertilizer Filling Capacity (lt)	3500
Height (cm)	168
Width (cm)	205
Length (cm)	132

AGX -GY-H2000MAX



AGX GY - H200max

Mixer Type	Horizontal
Dispencer Disc Piece	2
number of disc	2
PTO Speed (s/min)	540
Operating speed (km/h)	8 - 10 - 12
Working Width (m)	10 - 36
Dry Weight (kg)	780
Fertilizer Filling Capacity (lt)	2000
Height (cm)	255
Width (cm)	205
Length (cm)	260

AGX -GY-H2500MAX



AGX GY - H2500max

Mixer Type	Horizontal
Dispencer Disc Piece	2
number of disc	2
PTO Speed (s/min)	540
Operating speed (km/h)	8 - 10 - 12
Working Width (m)	10 - 36
Dry Weight (kg)	850
Fertilizer Filling Capacity (lt)	2500
Height (cm)	255
Width (cm)	205
Length (cm)	260

AGX -GY-H3000MAX



AGX GY - H3000max

Mixer Type	Horizontal
Dispencer Disc Piece	2
number of disc	2
PTO Speed (s/min)	540
Operating speed (km/h)	8 - 10 - 12
Working Width (m)	10 - 36
Dry Weight (kg)	850
Fertilizer Filling Capacity (lt)	3000
Height (cm)	255
Width (cm)	205
Length (cm)	310

AGX -GY-H2500TWIN



AGX GY - H2500twin

Mixer Type	Horizontal
Dispencer Disc Piece	2
number of disc	2
PTO Speed (s/min)	540
Operating speed (km/h)	8 - 10 - 12
Working Width (m)	10 - 36
Dry Weight (kg)	950
Fertilizer Filling Capacity (lt)	2500
Height (cm)	255
Width (cm)	205
Length (cm)	330

AGX -GY-H3000TWIN



AGX GY - H3000twin

Mixer Type	Horizontal
Dispencer Disc Piece	2
number of disc	2
PTO Speed (s/min)	540
Operating speed (km/h)	8 - 10 - 12
Working Width (m)	10 - 36
Dry Weight (kg)	1020
Fertilizer Filling Capacity (lt)	3000
Height (cm)	255
Width (cm)	205
Length (cm)	330

AGX -GY-H3500TWIN



AGX GY - H3500twin

Mixer Type	Horizontal
Dispencer Disc Piece	2
number of disc	2
PTO Speed (s/min)	540
Operating speed (km/h)	8 - 10 - 12
Working Width (m)	10 - 36
Dry Weight (kg)	1090
Fertilizer Filling Capacity (lt)	3500
Height (cm)	255
Width (cm)	205
Length (cm)	330



AGX GY - H3500L

Mixer Type	Horizontal
Dispencer Disc Piece	2
number of disc	2
PTO Speed (s/min)	540
Operating speed (km/h)	8 - 10 - 12
Working Width (m)	10 - 36
Dry Weight (kg)	1090
Fertilizer Filling Capacity (lt)	3500
Height (cm)	255
Width (cm)	205
Length (cm)	330

FERTILIZING MACHINES
AGX - GG

4

AGX -GY-H3000TWIN



FERTILIZING MACHINES	C3	C5	C10	C20
Length (mm)	4350	5880	7670	9500
Height (mm)	2470	2651	3045	3345
Width (mm)	2000	2150	2617	2525
Weight (kg)	1200	1914	2940	5500
Full Weight (kg)	4800	8900	14740	28500
Work Width (m)	14 - 20	14 - 20	16 - 25	16 - 30
Capacity (lt)	3000	5000	10000	20000
Required Power (kw/hp)	30/40	40/55	52/70	82/110
PTO Speed (rpm)	540	540	540	540
Wheel Size	125/80-15,3	400/60-15,5	550/60-22,5	550/60-22,5
Wheel Number	2	2	2	4
Axle System	Braked	Braked	Braked	Tender Mixer
Rotary Axle System				Optional
Hydraulic Brake	Standard	Standard	Standard	Standard
Warning Light	Standard	Standard	Standard	Standard
External Filling Cover	Standard	Standard	Standard	Standard
Hydraulic Distribution Valve	Standard	Standard	Standard	Standard
Manual Suction Valve	Standard	Standard	Standard	Standard
Hydraulic Suction Valve	Optional	Optional	Optional	Optional
Vacuum Safety Valve	Standard	Standard	Standard	Standard
Pressure Relief Valve	Standard	Standard	Standard	Standard
Fertilizer Separator Tank	Standard	Standard	Standard	Standard
In-tank Safety Valve	Standard	Standard	Standard	Standard
Hydraulic Jack	Standard	Standard	Standard	Standard
The Filling Place is on the Front Left	Standard	Standard	Standard	Standard
The Back of The Filling Place	Optional	Optional	Optional	Optional
Pump	Imported	Imported	Imported	Imported
Geometric Pump Capacity (lt/ min)	5000	700	8000	13500
Suction Depth (m)	6	6	6	6
Automatic Filling			Optional	Optional
Automatic Filling with Fixed Hose		Optional	Optional	Optional
Low Level Spreader (4 inch for Wooded Areas)	Standard	Standard	Standard	Standard
Low Level Spreader (6 inch for Wooded Areas)	Optional	Optional	Optional	Optional
Conical Spreader (4 inch for Wooded Areas)	Standard	Standard	Standard	Standard
Conical Spreader (6 inch for Wooded Areas)	Optional	Optional	Optional	Optional
Double Conical Spreader		Optional	Optional	Optional
Hose Spreader (9 - 12 - 15 - 18 - 20 - 24 m)	Optional	Optional	Optional	Optional
Spreader with Spring Sleigh Hose (9 - 12 - 15 m)	Optional	Optional	Optional	Optional
The Top Shooter	Optional	Optional	Optional	Optional
Upper Thrower Launch Distance (m)	Optional	Optional	Optional	Optional
The Upper Putter is Adjustable Angled	40-60	40-60	40-60	40-60
Hydrolic Top-thrower Moderator	Optional	Optional	Optional	Optional
Hydrolic Top Relief Valve	Optional	Optional	Optional	Optional

AGX -HGY-C



AGX -HGY-C	C7
Length (mm)	7110
Width (mm)	2200
Height (mm)	2845
Load Height (mm)	2480
Wheel Width (mm)	1750
Empty Weight (kg)	3500
Net Fertilizer Weight(kg)	13750
Loading Fish Ridge	
Net Fertilizer Weight(kg)	12500
Cover Alignment	
Max Total Weight (kg)	17250
Required Power (kw/hp)	70
Capacity (m3)	11
Distribution System	3 wings
PTO Speed (rpm)	540
Distribution Area	4 - 20
Wheel Size	4 /60 r:15,5
Wheel Number	4
Suspension System	Tandem
Brake System	Optional

AGX-HGY-CC



AGX-HGY-C4000



AGX-HGY	C7	C13	C15	C18	C20
Length (mm)	5890	7395	8210	7725	8355
Width (mm)	2265	2265	2965	2965	3115
Height (mm)	2870	2935	2985	3325	3295
Load Height (mm)	2450	2500	2620	2960	2930
Wheel Width (mm)	1720	1760	2545	2425	2620
Empty Weight (kg)	4000	4750	5835	6150	6400
Net Fertilizer Weight(kg)	8900	13200	16000	19500	22000
Loading Fish Ridge					
Net Fertilizer Weight(kg)	8250	12500	15000	17500	20000
Cover Alignment					
Max Total Weight (kg)	13250	18620	22335	25650	28400
Required Power (kw/hp)	60	70	90	120	150
Capacity (m3)	7,4	11	13,3	16,3	17,32
Distribution System	Vertical Dispenser	Vertical Dispenser	Vertical Dispenser	Vertical Dispenser	Vertical Dispenser
PTO Speed (rpm)	540	540	540	540	540
Distribution Area	4 - 20	4 - 20	4 - 20	4 - 20	4 - 20
Wheel Size	5/60 r:15,5	5/60 r:15,5	5/60 r:15,5	5/60 r:15,5	5/60 r:15,5
Wheel Number	4	4	4	4	4
Suspension System	Tandem	Tandem	Tandem	Tandem	Tandem
Brake System	Optional	Optional	Standart	Standart	Standart

AGX-HGY	C4000	C6000
Required Power (kw/hp)	7,5	5,5
Sieve Structure	316 quality stainless steel special production	
Helix	304 Quality Stainless Steel with Special hard Face Filler	
Operating Voltage	220/380	
Electrical Panel	including	



HOEING MACHINES AGX - GC

GENERAL TABLES of MILLING DECOLIER HOEING MACHINES

Technical Features	2 pcs. (p)	3 pcs. (p)	4 pcs. (p)	3 pcs.(c)	3 pcs (cpb)*	5 pcs. (cpb)	6 pcs.(be)	5 pcs.(be) **	5 pcs. (c)***
Width (cm)	200	240	318	200	310	322	310	310	474
Length (cm)	123	123	123	123	123	123	123	123	123
Height (cm) Fertilizer / without Fertilizer	110 / 152	110 / 152	110 / 152	110 / 152	110 / 152	110 / 152	110 / 152	110 / 152	110 / 152
Weight (kg) Fertilizer / without Fertilizer	33 / 50	37 / 47	67 / 75	48 / 59	67 / 78	72 / 87	69 / 80	79 / 94	149 / 175
Work Width (cm)	179	289	317	178	307	317	246	262	435
Depth of work (cm)	10	10	10	10	10	10	10	10	10
Width Between Two Units (cm)	110	110	110	70	70	70	45	45	70
Number of Blade	48	96	96	48	64	90	48	48	96
Blade Hardness	47	47	47	47	47	47	47	47	47
Crankcase Chain	20B1	20B1	20B1	20B1	20B1	20B1	20B1	20B1	20B1
Type of Crankcase Oil	SAE140	SAE140	SAE140	SAE140	SAE140	SAE140	SAE140	SAE140	SAE140
Crankcase Oil Change (h)	300	300	300	300	300	300	300	300	300
Required Power (hp)	40 / 50	40 / 50	50 / 60	40 / 50	60 / 70	70 / 80	65 / 75	80 / 100	90 / 110
Operation Speed (rpm/min)	540	540	540	540	540	540	540	540	540

Gear Box

Flip Rate	0,625	0,625	0,625	0,625	0,625	0,625	0,625	0,538	0,538
Input Circuit (rpm/min)	540	540	540	540	540	540	540	540	540
Output Circuit (rpm/min)	337	337	337	337	337	337	337	290	290
Usage Area	Decoupage of the an-								
Type of Oil	SAE140	SAE140	SAE140	SAE140	SAE140	SAE140	SAE140	SAE140	SAE140
Oil Volume (lt)	1,3	1,3	1,3	1,3	1,3	1,3	1,3	1,5	1,5
Oil Change (h)	300	300	300	300	300	300	300	300	300

*: 2 half and 3 full for harvest

** : 2 half and 5 full for harvest

***: 2 half and 5 full for corn harvest

p: for pomkin harvest

c: for corn harvest

b: for bean harvest

be: for beet harvest

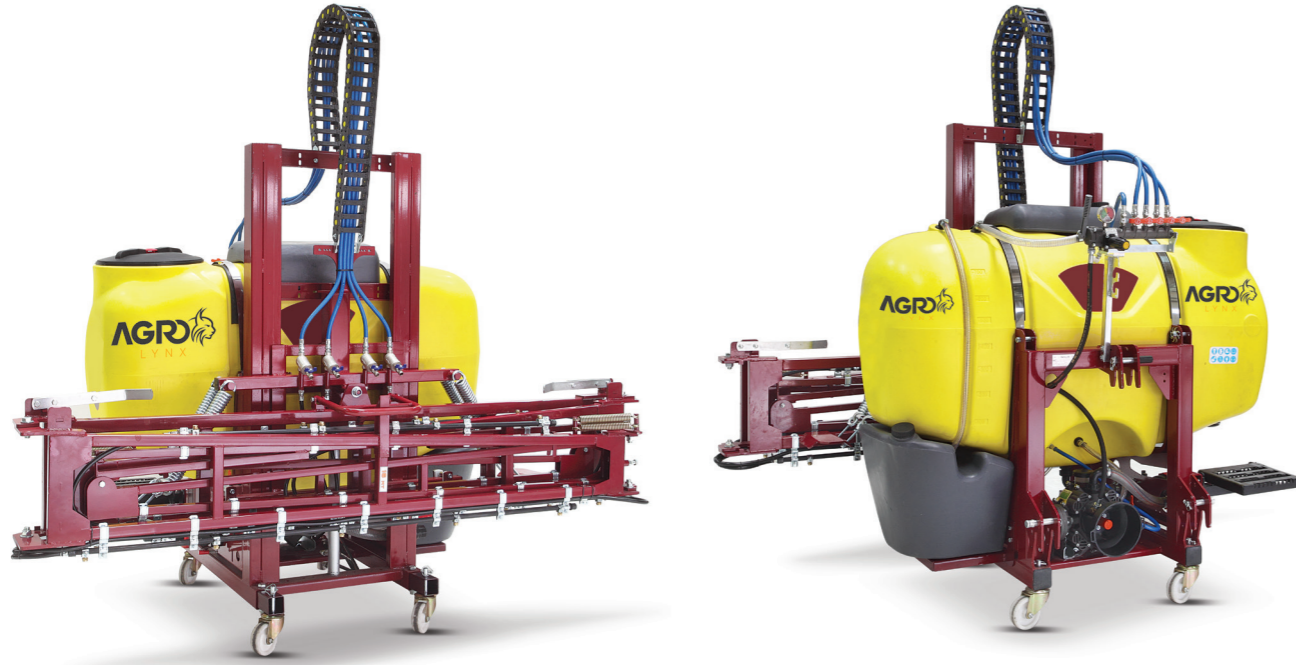


4
SPRAYING MACHINES
AGX- I

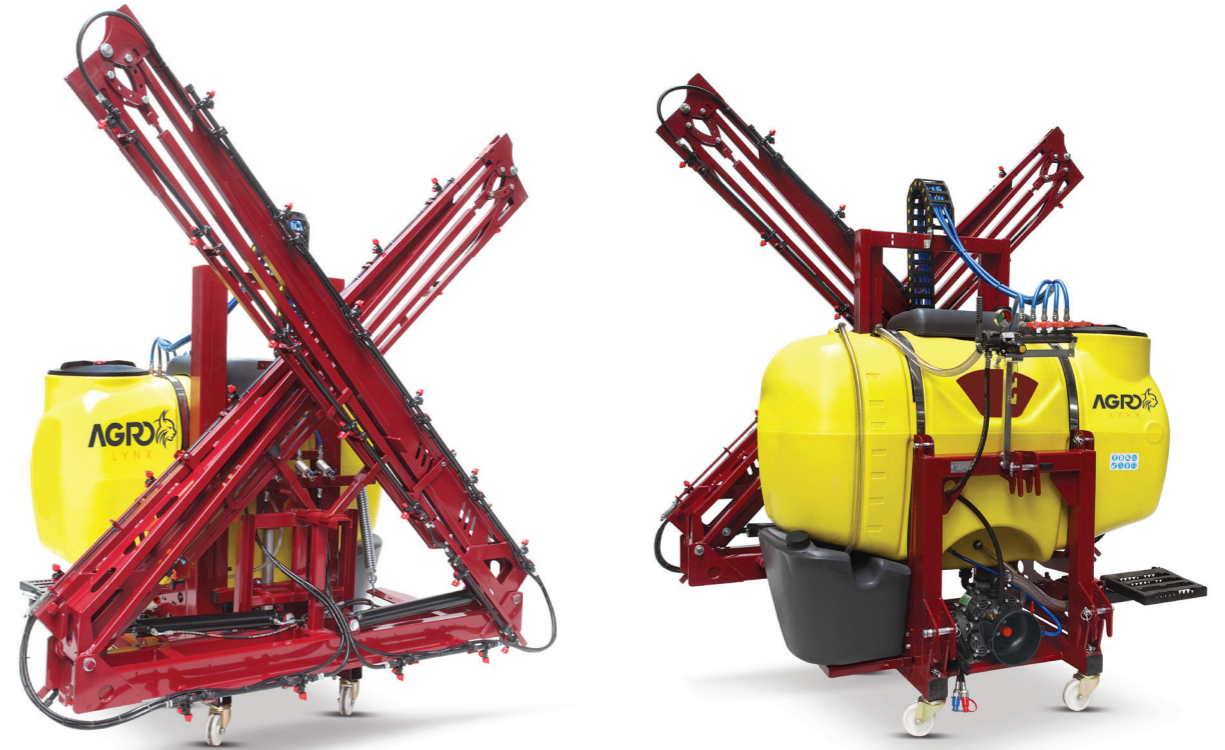
**A. Field Pulverizers
AGX -ITP**

	BRAVO	Material of Tank	Capacity of Tank	Pump Flow (l/min)	Pump Pressure (Bar)	Work Width (m)	Nozul Type
	OA400	Polythylene	400	71	50	10	CONICAL BRASS NOZZLE
	OA600	Polythylene	600	71	50	10	
	OA800	Polythylene	800	71	50	10	
	OA1000	Polythylene	1000	71	50	10	
	BRAVO	Number of Nozzles	Distance between Nozzles	Boom height Adjustment	Booms Folding Adjustment	Required Tractor Power (hp)	Operating Speed (r/min)
MODEL	OA400	20	50	Manuel	Manuel	40	540
	OA600	20	50	Manuel	Manuel	40	540
	OA800	20	50	Manuel	Manuel	40	540
	OA1000	20	50	Manuel	Manuel	40	540
	BRAVO	Weight (kg)	Length (cm)	Width (m)	Height (cm)		
	OA400	145	135	70	135		
	OA600	156	135	70	150		
	OA800	202	148	85	156		
	OA1000	210	148	85	176		

AGX-ALPHA-OC



AGX-ALPHA-OD



MODEL	ALPHA	Metarial of Tank	Capacity of Tank	Pomp Flow (l/min)	Pomp Presure (Bar)	Work Width (m)	Nozul Type
	OA600	Polythylene	600	96	50	16	CONICAL BRASS NOZZLE
	OA800	Polythylene	800	96	50	16	
	OA1000	Polythylene	1000	96	50	16	
MODEL	ALPHA	Number of Nozzless	Distance between Nozzles	Boom height Adjustment	Booms Folding Adjustment	Required Tractor Power (hp)	Operating Speed (r/min)
	OA600	33	50	Hydraulic	Manuel	50	540
	OA800	33	50	Hydraulic	Manuel	50	540
	OA1000	33	50	Hydraulic	Manuel	50	540
MODEL	ALPHA	Weight (kg)	Length (cm)	Width (m)	Height (cm)		
	OA600	597	280	165	220		
	OA800	618	280	165	220		
	OA1000	627	280	165	220		

MODEL	ALPHA	Metarial of Tank	Capacity of Tank	Pomp Flow (l/min)	Pomp Presure (Bar)	Work Width (m)	Nozul Type
	OD800	Polythylene	800	96	50	15	CONICAL BRASS NOZZLE
	OD1000	Polythylene	1000	96	50	15	
	OD1300	Polythylene	1300	96	50	15	
MODEL	ALPHA	Number of Nozzless	Distance between Nozzles	Boom height Adjustment	Booms Folding Adjustment	Required Tractor Power (hp)	Operating Speed (r/min)
	OD800	30	50	Hydrolic	Hydraulic	70 - 80	540
	OD1000	30	50	Hydrolic	Hydraulic	70 - 80	540
	OD1300	30	50	Hydrolic	Hydraulic	70 - 80	540
MODEL	ALPHA	Weight (kg)	Length (cm)	Width (m)	Height (cm)		
	OD800	620	250	185	280		
	OD1000	650	250	185	280		
	OD1300	665	250	185	280		

AGX-DELTA-OA



AGX-DELTA-OD



MODEL	DELTA	Metarial of Tank	Capacity of Tank	Pomp Flow (l/min)	Pomp Presure (Bar)	Work Width (m)	Nozul Type
	OA400	Polythylene	400	71	50	10	CONICAL BRASS NOZZLE
	OA600	Polythylene	600	71	50	10	
	OA800	Polythylene	800	71	50	10	
	OA1000	Polythylene	1000	71	50	10	
	DELTA	Number of Nozzless	Distance between Nozzles	Boom height Adjustment	Booms Folding Adjustment	Required Tractor Power (hp)	
	OA400	20	50	Manuel	Manuel	40	540
	OA600	20	50	Manuel	Manuel	40	540
	OA800	20	50	Manuel	Manuel	40	540
	OA1000	20	50	Manuel	Manuel	40	540
	DELTA	Weight (kg)	Length (cm)	Width (m)	Height (cm)		
	OA400	145	135	75	135		
	OA600	156	135	75	150		
	OA800	202	148	75	156		
	OA1000	210	148	75	176		

MODEL	DELTA	Metarial of Tank	Capacity of Tank	Pomp Flow (l/min)	Pomp Presure (Bar)	Work Width (m)	Nozul Type
	OD400	Polythylene	400	96	50	15	CONICAL BRASS NOZZLE
	OD600	Polythylene	600	96	50	15	
	OD800	Polythylene	800	96	50	15	
	OD1000	Polythylene	1000	96	50	15	
	DELTA	Number of Nozzless	Distance between Nozzles	Boom height Adjustment	Booms Folding Adjustment	Required Tractor Power (hp)	
	OD400	30	50	Hydrolic	Hydrolic	50	540
	OD600	30	50	Hydrolic	Hydrolic	50	540
	OD800	30	50	Hydrolic	Hydrolic	50	540
	OD1000	30	50	Hydrolic	Hydrolic	50	540
	DELTA	Weight (kg)	Length (cm)	Width (m)	Height (cm)		
	OD400	374	135	103	250		
	OD600	394	135	103	250		
	OD800	414	148	103	250		
	OD1000	426	148	103	250		



MODEL	LIMA	OC1000	OC1600	OC2000	LIMA	OC1000	OC1600	OC2000	LIMA	OC1000	OC1600	OC2000
	Material of Tank	Polythylene	Polythylene	Polythylene	Number of Nozzles	33	33	33	Weight (kg)	782	820	832
	Capacity of Tank	1000	1600	2000	Distance between Nozzles	50	50	50	Length (cm)	347	348	385
	Pump Flow (l/min)	96	96	96	Boom height Adjustment	Hydrolic	Hydrolic	Hydrolic	Width (m)	272	272	272
	Pump Pressure (Bar)	50	50	50	Booms Folding Adjustment	Manuel	Manuel	Manuel	Height (cm)	225	225	225
	Work Width (m)	16	16	16	Required Tractor Power (hp)	60	60	60	Operating Speed (r/min)	540	540	540
	Nozul Type	CONICAL BRASS NOZZLE										

MODEL	LIMA	OM3000	LIMA	OM3000	LIMA	OM3000	
	Material of Tank	Polythylene	Number of Nozzles	49	Weight (kg)	2700	
	Capacity of Tank	3000	Distance between Nozzles	50	Length (cm)	620	
	Pump Flow (l/min)	145	Boom height Adjustment	Electronic	Width (m)	230	
	Pump Pressure (Bar)	50	Booms Folding Adjustment	Electronic	Height (cm)	365	
	Work Width (m)	24	Required Tractor Power (hp)	90	Suspension	spring	
	Nozul Type	3 Fan with the beam		Operating Speed (r/min)	540	Wings Spraying Heights (cm)	50/190



MODEL	Material of Tank	Capacity of Tank	Pump Flow (l/min)	Pump Pressure (Bar)	Work Width (cm)	Nozul Type
DELTA OJ400	Polythylene	400	71	50	40 - 45	Conical nozzle
DELTA OJ600	Polythylene	600	71	50	40 - 45	
	Sprayer Gun Type	Required Tractor Power (hp)	Operating Speed (r/min)	Weight (kg)	Length (cm)	Width (cm)
DELTA OJ400	without trigger	50	540	116	140	138
DELTA OJ600		50	540	127	140	138
	Height (cm)					
DELTA OJ400	135					
DELTA OJ600	150					

**B. Garden Pulverizers
AGX –BP**

AGX-VILLA-OF



MODEL	VILLA	Sprayer Gun Type	Required Tractor Power (hp)	Operating Speed (r/min)	Weight (kg)	Length (cm)	Width (cm)	Height (cm)
	OF1000	Long	50	540	365	250	150	160
	OF1600		50	540	400	220	150	160
	OF2000		50	540	438	255	205	160

**C. Turbo Pulverizers
AGX -TU**

AGX-DELTA-OE



AGX-DELTA-OF



MODEL	DELTA	OE400	OE600	DELTA	OE400	OE600	DELTA	OE400	OE600
				Material of Tank	Polythylene	Polythylene	Capacity of Tank	400	600
				Number of Nozzles	10	10	Air Flow Rate (m3/h)	54000	54000
				Length (cm)	450	150	Width (m)	1.2	1.2
				Height (cm)	145	160	Operating Speed (r/min)	225	235
				Pump Pressure (Bar)	50	50	Required Tractor Power (hp)	50	50
				Work Width (m)	12.16	12.16	Weight (kg)	225	235
				Nozul Type	Brass Stopper Turbo				

MODEL	DELTA	OF400	OF600	OF800	OF1000	DELTA	OF400	OF600	OF800	OF1000
						Material of Tank	Polythylene	Polythylene	Polythylene	Polythylene
						Capacity of Tank	400	600	800	1000
						Number of Nozzles	10	10	10	10
						Air Flow Rate (m3/h)	54000	54000	54000	54000
						Required Tractor Power (hp)	50	50	50	50
						Operating Speed (r/min)	540	540	540	540
						Weight (kg)	293	321	332	
						Length (cm)	162	142	166	165
						Width (m)	1.2	1.2	1.2	1.2
						Height (cm)	166	166	173	195
						Nozul Type	CONICAL BRASS NOZZLE			

AGX-FOXTROT-OP



MODEL	Material of Tank	Capacity of Tank	Pump Flow (l/min)	Pump Pressure (Bar)	Work Width (m)	Nozul Type
FOXTROT						
OP1000	Polythylene	1000	145	50	20 - 24	
OP1600	Polythylene	1600	145	50	20 - 24	
OP2000	Polythylene	2000	145	50	20 - 24	Brass Stopper Turbo
FOXTROT	Number of Nozzles	Fan Diameter	Air Flow Rate (m ³ /h)	Required Tractor Power (hp)	Operating Speed (r/min)	Weight (kg)
OP1000	16	85	66000	70	540	516
OP1600	16	90	66000	70	540	550
OP2000	16	90	66000	70	540	550
FOXTROT	Length (cm)	Width (m)	Height (cm)			
OP1000	365	168	135			
OP1600	365	178	135			
OP2000	410	180	135			

AGX-SIERRA-O



MODEL	SIERRA	Capacity	Number of Disc	PTO spin (rpm/min)	Fertilizer Disc Spin (bar)	Work Width (m)	Weight (kg)	Length (cm)	Width (cm)	Height (cm)
	O900	900	2	540	685	18 - 25	475	125	205	150
	O1200	1200	2	540	685	18 - 25	500	125	205	170
	O1500	1500	2	540	685	18 - 25	530	125	205	190

AGX-MIKE-O



MODEL	MIKE	Capacity	Number of Disc	PTO spin (rpm/min)	Fertilizer Disc Spin (bar)	Work Width (m)	Weight (kg)	Length (cm)	Width (cm)
	O900	900	2	540	720	10-16	282 -	133	190
	O1200	1200	2	540	720	10-16	282 - 347	133	190



MODEL	BUSTER	Capacity (lt)	Operating Speed (r/min)	Weight (kg)	Length (cm)	Width (cm)	Height (cm)
	O150	150	540	103	350	1560	1400

HARVESTING THRESHING
MACHINES
AGX - H

A. Silage Machines
AGX - HS

AGX-HS-C



AGX - HS - C	Single Row Silage Machines	Two Rows of Silage Machines	Three Rows of Silage Machines	Four Rows of Silage Machines
Work Width (cm)	70	125	210	
Capacity (m ² /h)	1000 - 1500	4000 - 4500		
Required Power (kw/hp)	28	56	80	
PTO Speed (rpm)	540	540	540	
Work Position	Right Side	Front, Right side, Rear	Front, Rear	Rear(std.), Front(opt.)
Number of Shooter Pallets	6	12	12	
Number of Chopper Blades	12	12	12	
Number of Fixed Blades	1	1	1	
Shredding Size(mm)	3-10	3-10	3-10	
Wheel Size	160/8/6,5	165/70/13	165/70/13	
Number of Wheel	1	1	2	
3 Point Suspension System	cat2	cat2-3	cat2-3	
Length - Work Position (mm)	2380	2679(Side Pos.), 1750(Rear pos.)	1600	
Height - Work Position (mm)	3175	4130	4165	
Height - Road Position (mm)	2122	2460	2475	
Width - Work Position (mm)	2355	4190	4115	
Width - Road Position (mm)	2355	1985	2420	
Weight (kg)	600	1350	1520	
Independent Hydraulic Hydraulic Control Position		Standard Operator's Side (Inside the Tractor Cabin)		
Number of Circle Blades		6	6	
Grain Crusher and Shredding System		Special Design Chopper Knife Top Surface Shredding Knives In-Chamber Casting Crusher (optional)	Special Design Chopper Knife Top Surface Shredding Knives In-Chamber Casting Crusher (optional)	
Safety System		Power Transmission Belt	Power Transmission Belt	
Machine Motion Transmission		The Combination of Gearbox and Flexible Transmission	The Combination of Gearbox and Flexible Transmission	
Hydraulic Middle Arm		Standard	Standard	
Temporary Reverse Start-Up				

AGX-HS-CC



AGX - HS - CC	CC- 1500	CC- 1800	CC- 2100
Required Power (kw/hp)	45 - 60	60 - 80	80 - 110
Work Width (mm)	1500	1800	2100
Number of Rotor Blades	36	48	56
Number of Chopper Blades	10	10	10
Number of Shooter Pallets	10	10	10
Number of Fixed Blades	6	6	6
Wheel Size	185/65/14	185/65/14	185/65/14
Number of Rotor Speed (rpm)	1150	1150	1150
Number of Chopper Disk	1620	1620	1620
Weight (kg)	1180	1245	1310
PTO Speed (rpm)	540	540	540
Work Capacity (t/h)	20	20	28
Width - Work Position (mm)	2700	3000	3300
Length - Work Position (mm)	4420	4420	4420
Height - Work Position (mm)	4500	4500	4500
Width - Road Position (mm)	3275	3375	3500
Height - Road Position (mm)	2650	2650	2650
Slaughter Size (mm)	20 - 70	20 - 70	20 - 70
Mowing Height (mm)	50 - 150	50 - 150	50 - 150
Tractor dependent Hydraulic	Standard	Standard	Standard
Tractor Independent Hydraulic	Optional	Optional	Optional
Rotary Chimney (160 Degree)	Optional	Optional	Optional
Rotary Chimney (360 Degree)	Standard	Standard	Standard
Double-Stage Chimney	Standard	Standard	Standard



AGX - HB	C1
Width (mm)	1800
Height (mm)	4300
Weight (kg)	480
Required Power (hp)	30
Wheel Size	4,5/10/52
PTO Speed (rpm)	540
Number of Carrier Chains	1
Number of Receiving Chains	2
Work Capacity (tone/h)	2500 - 3000

B. Balers Machines
AGX - HB

AGX-HT-SRD1



Number of drum	Number of blades	Required Power	P.T.O operation speed	Drum rotation	Operation speed	Weight
5	2	60/70	540	205	78,6 m/s	700 kg.

AGX-HT-SRD2



Number of drum	Number of blades	Required Power	P.T.O operation speed	Drum rotation	Operation speed	Weight
6	2	70/80	540	240	78,6 m/s	750 kg.

**C. Drum Lawn Mowers
AGX - HT**

**I. Lawn and Clover Mowers with
Compressed Discs
AGX-HT**



SM 180

Number of drum	Number of blades	Required Power	P.T.O operation speed	Drum rotation	Operation speed	Weight
4	2	45	540	180	78,6 m/s	330 kg.

SM 205

Number of drum	Number of blades	Required Power	P.T.O operation speed	Drum rotation	Operation speed	Weight
5	2	55	540	205	78,6 m/s	370 kg.

SM 240

Number of drum	Number of blades	Required Power	P.T.O operation speed	Drum rotation	Operation speed	Weight
6	2	70	540	240	78,6 m/s	410 kg.



Number of drum	Number of blades	Required Power	P.T.O operation speed	Drum rotation	Operation speed	Weight
8	2	80/90	540	320	78,6 m/s	1680 kg.

AGX-HT-SRST180



Number of drum	Number of blades	Cutting width	P.T.O operation speed	Drum rotation	Required Power	Weight
2	6	185cm	540	1919	70 hp	520 kg.

AGX-HT-SRST250



Number of drum	Number of blades	Cutting width	P.T.O operation speed	Drum rotation	Required Power	Weight
4	12	250cm	540	1919	80 hp	900 kg.

**II. Lawn and Clover Mowers with a Compressed Drum
AGX-HT-SRST**

AGX-HT-SRT1



Number of drum	Number of blades	Cutting width	P.T.O operation speed	Drum rotation	Required Power	Weight
2	6	125 cm	540	1919	25 hp	180 kg.

AGX-HT-SRT125



Number of drum	Number of blades	Cutting width	P.T.O operation speed	Drum rotation	Required Power	Weight
2	6	125 cm	540	1919	25 hp	285 kg.

**III. Drum Meadow and Clover Mowers
AGX-HT-SRT**

AGX-HT-SRT145



Number of drum	Number of blades	Cutting width	P.T.O operation speed	Drum rotation	Required Power	Weight
2	6	145 cm	540	1919	35 hp	215 kg.

AGX-HT-SRT165+



Number of drum	Number of blades	Cutting width	P.T.O operation speed	Drum rotation	Required Power	Weight
2	6	165 cm	540	1919	45 hp	345 kg.

AGX-HT-SRT165

121

agrolynx.com.tr



Number of drum	Number of blades	Cutting width	P.T.O operation speed	Drum rotation	Required Power	Weight
2	6	165 cm	540	1919	45 hp	345 kg.

AGX-HT-SRT185

122

agrolynx.com.tr



Number of drum	Number of blades	Cutting width	P.T.O operation speed	Drum rotation	Required Power	Weight
2	6	185 cm	540	1919	60 hp	400 kg.

AGX-HT-SRT185+



Number of drum	Number of blades	Cutting width	P.T.O operation speed	Drum rotation	Required Power	Weight
2	6	185 cm	540	1919	60 hp	420 kg.

AGX-HT-SRT250+

123

agrolynx.com.tr



Number of drum	Number of blades	Cutting width	P.T.O operation speed	Drum rotation	Required Power	Weight
4	12	250 cm	540	1919	75 hp	510 kg.

**IV. Decoupage of Meadow and Clover Mowers
AGX-HT- SRB**

AGX-HT-SRB125



Number of drum	Number of blades	Cutting width	P.T.O operation speed	Drum rotation	Weight
2	6	125 cm	540	1919	210 kg.

AGX-HT-SRB165



Number of drum	Number of blades	Cutting width	P.T.O operation speed	Drum rotation	Weight
2	6	165 cm	540	1919	265 kg.

AGX-HT-SRB145



Number of drum	Number of blades	Cutting width	P.T.O operation speed	Drum rotation	Weight
2	6	145 cm	540	1919	235 kg.

AGX-HT-SRB185



Number of drum	Number of blades	Cutting width	P.T.O operation speed	Drum rotation	Weight
2	6	185 cm	540	1919	295 kg.

AGX-HT-SRB250



Number of drum	Number of blades	Cutting width	P.T.O operation speed	Drum rotation	Weight
4	12	250 cm	540	1919	400 kg.

AGX-HT-SRK185



Sliding Vineyard Drum Meadow and Clover Mower

Number of drum	Number of blades	Cutting width	P.T.O operation speed	Drum rotation	Weight
2	6	185 cm	540	1919	310 kg.



Handle Shredding

Technical Features	K1 - 240	K1 - 260	K1 - 280	K1 - 320
Width (cm)	268	267	306	347
Lenght (cm)	132	153	153	153
Height (cm)	108	108	108	108
Weight (kg)	925	965	1005	1150
Work Width (cm)	240	260	280	320
Number of Blade	48	52	56	64
Blade Hardness	47	47	47	47
Type of Crankcase Oil	LEAF			
Required Power (hp)	55/ 80	70/ 80	80/ 100	80/ 100
Operation Speed (rpm/min)	540	540	540	540
Number of Straps	4	4	4	4
Gear Box	K1 - 240	K1 - 260	K1 - 280	K1 - 320
Flip Rate	01:02	01:02	01:02	01:02
Input Circuit (rpm/min)	540	540	540	540
Output Circuit (rpm/min)	1080	1080	1080	1080
Usage Area	HANDLE SHREDDING			
Type of Oil	SAE140	SAE140	SAE140	SAE140
Oil Vlolume (lt)	3	3	3	3
Oil Change (h)	300	300	300	300

AGX-HDC-K2



Hydraulic Branch Shredding

Technical Features	K2 - 180	K2 - 200	K2 - 220	K2 - 220	K2 - 240
Width (cm)	195	215	235	255	275
Lenght (cm)	115	115	115	115	115
Height (cm)	110	110	110	110	110
Weight (kg)	650	685	720	755	790
Capacity of Work	20<>20	20<>20	20<>20	20<>20	20<>20
Work Width (cm)	160	180	200	220	240
Number of Blade	16	18	20	22	24
Blade Hardness	47	47	47	47	47
Type of Crankcase Oil	hammer				
Required Power (hp)	30/ 50	40/ 60	50/ 70	60/ 80	70/ 60
Operation Speed (rpm/min)	540	540	540	540	540
Number of Straps	4	4	4	4	4
Gear Box	K1 - 180	K1 - 200	K1 - 220	K1 - 220	K1 - 220
Flip Rate	01:03	01:03	01:03	01:03	01:03
Input Circuit (rpm/min)	540	540	540	540	540
Output Circuit (rpm/min)	1620	1620	1620	1620	1620
Usage Area	BRANCH SHREDDING				
Type of Oil	SAE140	SAE140	SAE140	SAE140	SAE140
Oil Vlolume (lt)	3	3	1,3	1,3	1,3







131

agrolynx.com.tr

AGX-HDC-K3



Lateral Movable Branch Shredding

						
Laterally Moving	cm	cm	hp / kw	kg	piece	
180	200	180	55 / 40	710	18	KARDAN
200	220	200	65 / 50	810	20	S.6 LT=
220	240	220	75 / 55	860	22	1656 1"
240	260	240	85 / 65	910	24	3/8 Z=6
Laterally Moving	A	B	C	C1	D	
	cm	cm	cm	cm	cm	
180	180	248	67	85	193 / 200	
200	200	260	76	94	193 / 200	
220	220	280	76	94	193 / 200	
240	240	300	76	94	193 / 200	

132

agrolynx.com.tr

AGX - YK - C1



FEED MIXING MACHINES AGX - YK

AGX-YK	C.075	C2T	C2L	2CLE	C2TEBH	C3	C4
Length (mm)	1500	3875	2070	1960	3875	4485	4485
Width (mm)	1500	1680	1920	1450	1800	1850	1850
Height (mm)	1490	1750	1640	1640	1750	2000	2350
Full Weight (kg)	605	1570	1260	1170	1640	2140	2520
Empty Weight (kg)	380	970	660	570	1140	1240	1320
PTO Speed (rpm)	540	540	540	540	540	540	540
Required Power (kw/hp)	220 V - 3 kW/4hp	35 hp	380V - 7,5 kW	35 hp	380V - 7,5 kW	40 hp	40 hp
Power Source	Electric + PTO	PTO	10 hp	PTO	10 hp	PTO	PTO
Weighing Sytem Number of Load Cells			Electric + PTO		Electric + PTO	3	3
Number of spiral blades	4	5		5		6	7
Number of Fixed Blades		2	5	2	5	2	2
Stairs			2		2		
Right Side Drain Cover	Standart	Standart		Standart		Standart	Standart
Left Side Drain Cover	Optional	Optional	Standart	Optional	Standart	Optional	Optional
Front Discharge Cover			Optional		Optional		
Rear Discharge Cover							
Right Cross Drain Cover							
Right Left Front Cross Drain Cover							
Sacking Apparatus	Optional	Optional		Optional		Optional	Optional
Weighing System			Optional		Optional	Optional	Optional
Bucket System		Optional			Optional	Optional	Optional
Electric Motor	Standart				Optional	Optional	Optional
Drain Cover	Manuel	Hydraulic	Standart	Hydraulic	Standart	Hydraulic	Hydraulic
Independent Hydraulic		Optional	Manuel		Hydraulic	Optional	Optional
Conveyor Belt					Optional	Optional	Optional
Magtanist	Optional	Optional		Optional	Optional	Optional	Optional
Tractor Connection Type	3 Hanger	Drawbar Type	Optional	3 Hanger	Optional	Drawbar Type	Drawbar Type
Warning Light	Optional	Optional	3 Hanger	Optional	Drawbar Type	Optional	Optional
Bumper Lamp			Optional		Optional		

AGX-YK	C5	C6	C8	C10	C12	C14
Length (mm)	4810	4810	5200	5200	5200	5200
Width (mm)	2115	2115	2300	2300	2300	2300
Height (mm)	2335	2500	2400	2720	3000	3280
Full Weight (kg)	3100	3540	6785	7720	8655	9590
Empty Weight (kg)	1600	1740	4385	4220	5055	5400
PTO Speed (rpm)	540	540	540	540	540	540
Required Power (kw/hp)	50 - 55 hp	50 - 55 hp	48 kw/ 65 hp	48 kw/ 65 hp	59 kw/80 hp	80 hp
Power Source	PTO	PTO	PTO	PTO	PTO	PTO
Weighing Sytem Number of Load Cells	3	3	3	3	3	3
Number of spiral blades	7	6	6	6	6	6
Number of Fixed Blades	2	2	2	2	2	2
Stairs			Optional	Optional	Optional	Optional
Right Side Drain Cover	Standart	Standart	Optional	Optional	Optional	Optional
Left Side Drain Cover	Optional	Optional	Optional	Optional	Optional	Optional
Front Discharge Cover			Optional	Optional	Optional	Optional
Rear Discharge Cover			Optional	Optional	Optional	Optional
Right Cross Drain Cover			Standart	Standart	Standart	Standart
Right Left Front Cross Drain Cover			Optional	Optional	Optional	Optional
Sacking Apparatus	Optional	Optional	Optional	Optional	Optional	Optional
Weighing System	Optional	Optional	Optional	Optional	Optional	Optional
Bucket System	Optional	Optional	Optional	Optional	Optional	Optional
Electric Motor	Optional	Optional	Optional	Optional	Optional	Optional
Drain Cover	Hydraulic	Hydraulic	Hydraulic	Hydraulic	Hydraulic	Hydraulic
Independent Hydraulic	Optional	Optional	Optional	Optional	Optional	Optional
Conveyor Belt	Optional	Optional	Optional	Optional	Optional	Optional
Magtanist	Optional	Optional	Optional	Optional	Optional	Optional
Tractor Connection Type	Drawbar Type	Drawbar Type	Drawbar Type	Drawbar Type	Drawbar Type	Drawbar Type
Warning Light	Optional	Optional	Optional	Optional	Optional	Optional
Bumper Lamp			Standart	Standart	Optional	Optional



AGX-YK	C16	C18	C20	C22	C16SL	C18SL	C20SL	C22SL
Length (mm)	7600	7600	7600	7890	7600	7600	7600	7890
Width (mm)	2225	2225	2225	2225	2225	2225	2225	2225
Height (mm)	2225	2600	2735	2800	2225	2600	2735	2800
Full Weight (kg)	11100	12000	12700	33350	11100	12000	12700	33350
Empty Weight (kg)	6250	6500	6690	6725	6250	6500	6690	6725
PTO Speed (rpm)	540	540	540	540	540	540	540	540
Wheel Width (mm)	4x215/70/17,5	4x215/70/17,5	4x215/70/17,5	4x215/70/17,5	4x215/70/17,5	4x215/70/17,5	4x215/70/17,5	4x215/70/17,5
Required Power (kw/hp)	90	95	110	110	90	95	110	110
Weighing System Number of Load Cells	3	3	3	3	3	3	3	3
Number of spiral blades	2X6	2X6	2X6	2X6	2X6	2X6	2X6	2X6
Number of Fixed Blades	2	2	2	2	2	2	2	2
Stairs	Optional	Optional	Optional	Optional	Optional	Optional	Optional	Optional
Front Discharge Cover	Standart	Standart	Standart	Standart	Standart	Standart	Standart	Standart
Rear Discharge Cover	Optional	Optional	Optional	Optional	Optional	Optional	Optional	Optional
Right Cross Drain Cover	Optional	Optional	Optional	Optional	Optional	Optional	Optional	Optional
Right Left Front Cross Drain Cover	Optional	Optional	Optional	Optional	Optional	Optional	Optional	Optional
Sacking Apparatus	Optional	Optional	Optional	Optional	Optional	Optional	Optional	Optional
Weighing System	Standart	Standart	Standart	Standart	Standart	Standart	Standart	Standart
Bucket System								
Electric Motor	Optional	Optional	Optional	Optional	Optional	Optional	Optional	Optional
Double Speed (with gear)	Optional	Optional	Optional	Optional	Optional	Optional	Optional	Optional
Drain Cover	Hydraulic	Hydraulic	Hydraulic	Hydraulic	Hydraulic	Hydraulic	Hydraulic	Hydraulic
Independent Hydraulic	Optional	Optional	Optional	Optional	Optional	Optional	Optional	Optional
Conveyor Belt	Optional	Optional	Optional	Optional	Optional	Optional	Optional	Optional
Magtaniist	Optional	Optional	Optional	Optional	Optional	Optional	Optional	Optional
Tractor Connection Type	Drawbar Type	Drawbar Type	Drawbar Type	Drawbar Type	Drawbar Type	Drawbar Type	Drawbar Type	Drawbar Type
Brake Axle System	Optional	Optional	Optional	Optional	Optional	Optional	Optional	Optional
Warning Light	Optional	Optional	Optional	Optional	Optional	Optional	Optional	Optional
Bumper Lamp	Optional	Optional	Optional	Optional	Optional	Optional	Optional	Optional

AGX-YK	C2 m3		C3m3		C4m3		C5m3	
	Towed Type	Fixed Type	Towed Type	Fixed Type	Towed Type	Fixed Type	Towed Type	Fixed Type
Chassis Type	Towed Type	Fixed Type	Towed Type	Fixed Type	Towed Type	Fixed Type	Towed Type	Fixed Type
Length (mm)	3365	2445	3740	2810	4015	3100	4515	3580
Height (mm)	1690	820	1865	2010	2065	2195	2150	2195
Width (mm)	1440	1465	1470	1790	1490	1500	1585	1500
Wheel Width (mm)	1264	1274	1274	1274	1272	1300	1300	1300
Feed Discharge Width (mm)	1475	1540	1540	1550	1550	1600	1600	1600
Helecon Pipe Thickness	8	8	8	8	10	10	10	10
Helecon Leaf Thickness	10	10	10	10	12	12	12	12
Side Wall Sheet Thickness	4	4	4	4	4	4	4	4
Front Wall Sheet Thickness	4	4	4	4	4	4	4	4
Pool Sheet Thickness	8	8	8	8	8	8	8	8
Empty Weight (kg)	900	850	1065	1015	1250	1160	1450	1350
Capacity (kg)	600	600	900	900	1200	1200	1500	1500
Number of spiral blades	26	26	36	36	52	52	68	68
Tire	165/80/13-pt311		175/65/14-pt311		185/65/14-pt311		10/75/15-12rf	
PTO Speed (rpm)	540	540	540	540	540	540	540	540
Required Power (kw/hp)	20	20	25	25	30	30	40	40
Required Electric Motor Power (kw - rpm/min)	11-1500	11-1500	15- 1500	15 - 1500	18,5 - 1500	18,5 - 1500	22 - 1500	22- 1500
Drawbar Type Chassis	Standard		Standard		Standard		Standard	
Fixed Type Chassis	Optional	Optional	Optional	Optional	Optional	Optional	Optional	Optional
Weighing System	Standard	Standard	Standard	Standard	Standard	Standard	Standard	Standard
Gearbox with Single PTO Output	Standard	Standard	Standard	Standard	Standard	Standard	Standard	Standard
Gearbox with Double PTO Output	Optional	Optional	Optional	Optional	Optional	Optional	Optional	Optional
Feed Emptying Direction Is Right	Standard	Standard	Standard	Standard	Standard	Standard	Standard	Standard
Feed Emptying Direction Is Right - Left	Optional	Optional	Optional	Optional	Optional	Optional	Optional	Optional
Hydraulic Feed Blanking Cover	Optional	Optional	Optional	Optional	Optional	Optional	Optional	Optional
Mechanical Feed Blanking Cover	Optional	Standard	Optional	Standard	Optional	Standard	Optional	Standard
Feed Blanking Sheet	Standard	Standard	Standard	Standard	Standard	Standard	Standard	Standard
Hydraulic Feed Discharge Conveyor	Optional	Optional	Optional	Optional	Optional	Optional	Optional	Optional
Electronic Feed Distribution Conveyor	Optional	Optional	Optional	Optional	Optional	Optional	Optional	Optional
Conveyor Feed Bagging Apparatus	Optional	Optional	Optional	Optional	Optional	Optional	Optional	Optional
Tractor Independent Hydraulic	Optional	Optional	Optional	Optional	Optional	Optional	Optional	Optional
Tractor Dependent Hydraulic	Optional	Optional	Optional	Optional	Optional	Optional	Optional	Optional
Sliding Hydraulic Control System	Standard	Standard	Standard	Standard	Standard	Standard	Standard	Standard
Rear Mechanical Half Cover	Optional	Optional	Optional	Optional	Optional	Optional	Optional	Optional
Mechanical Foot Jack	Standard		Standard		Standard		Standard	

AGX - YK-C4



AGX- YK	C6 m3		C8m3		C10m3		C12m3		C14m3	
	Low Chassis	High Chassis	Low Chassis	High Chassis	Low Chassis	High Chassis	Low Chassis	High Chassis	Low Chassis	High Chassis
Chassis Type	4930		5060		5900		6350		6670	
Length (mm)	2200	2305	2350	2490	2450	2590	2530	2670	2650	2790
Height (mm)	1865	1735	2135	2025	2230	2105	2230	2105	2230	2105
Width (mm)	1571	1451	1806	1671	1806	1671	1806	1671	1806	1671
Wheel Width (mm)	2410	2350	2585	2530	2635	2571	2635	2571	2635	2571
Tape Closed Width (mm)	1950	1895	2115	2100	2215	2150	2215	2150	2215	2150
Tape Opened Width (mm)	6		8		10		12		14	
Capacity (kg)	3000		4350		4000		4450		4710	
Empty Weight (kg)	4800		5950		7000		8050		8910	
Load Weight (kg)	60		70		80		90		105	
Required Power (pt)	540		540		540		540		540	
PTO Speed (rpm)	10/75/15,3		12/80/15,3		400/60/15,5		400/60/15,5		400/60/15,5	
Wheel Size	64		84		110		132		144	
Number of blades	3		3		3		3		3	
Number of Load Cells	Optional		Optional		Optional		Optional		Optional	
Weighting System	Standard		Standard		Standard		Standard		Standard	
High Level Chassis System	Optional		Optional		Optional		Optional		Optional	
Low Level Chassis System	Standard		Standard		Standard		Standard		Standard	
Feed Emptying Direction Is Right	Optional		Optional		Optional		Optional		Optional	
Feed Emptying Direction Is Left	Standard		Standard		Standard		Standard		Standard	
Feed Blanking Sheet	Optional		Optional		Optional		Optional		Optional	
Feed Discharge Conveyor is Right	Optional		Optional		Optional		Optional		Optional	
Feed Discharge Conveyor is Left	Optional		Optional		Optional		Optional		Optional	
Mechanical Jack	Standard		Standard		Standard		Standard		Standard	
Hydraulic Jack	Optional		Optional		Optional		Optional		Optional	
Stairs	Standard		Standard		Standard		Standard		Standard	
Sliding Hydraulic Control System	Standard		Standard		Standard		Standard		Standard	
Wire Hydraulic Control System	Optional		Optional		Optional		Optional		Optional	
Sacking Apparatus	Optional		Optional		Optional		Optional		Optional	
Rear Mechanical Cover	Standard		Standard		Standard		Standard		Standard	
Rear Loader Bucket	Optional		Optional		Optional		Optional		Optional	
Gearbox with Double PTO Output	Standard		Standard		Standard		Standard		Standard	

PACKAGING MACHINES AGX - YPM





40

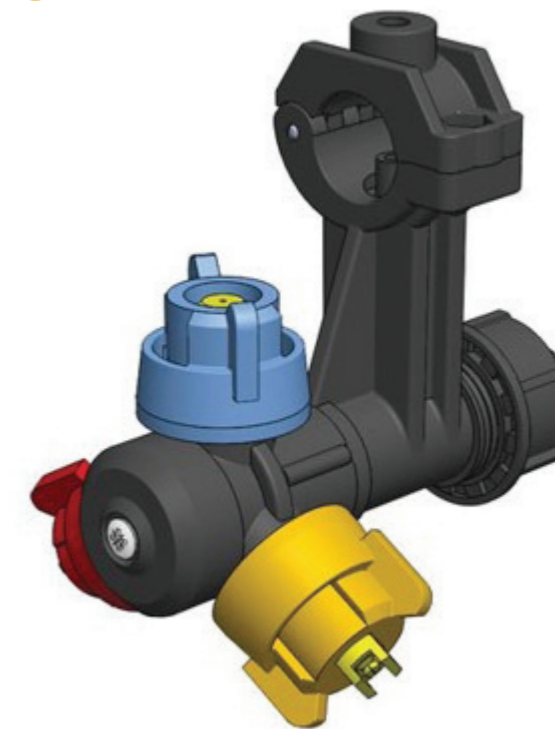
LOAD LIFTER
AGX-YKL

	Units	Special Version	Plus Version
Chassis height in closed position	mm	2270	2520
Boom length	mm	2459	2959
Sliding boom length	mm	850	900
Boom open height in sliding boom closed position	mm	3005	3505
Boom open height in sliding boom open position	mm	3711	4211
Boom closed height in sliding boom opened position	mm	1337	1587
Boom closed height in sliding boom closed position	mm	1173	4423
Distance between boom End and main chassis in silding boom closed and boom open position	mm	801	1051
Distance between boom End and main chassis in silding boom and boom open position	mm	1272	1772
Distance between boom End and main chassis in silding boom and boom close position	mm	1449	1699
Distance between boom End and main chassis in silding boom closed and boom open position	mm	2281	2781



Plastic Nozzle with Fan Beam

AGX-YP-NO2



Plastic Nozzle with Three Fan



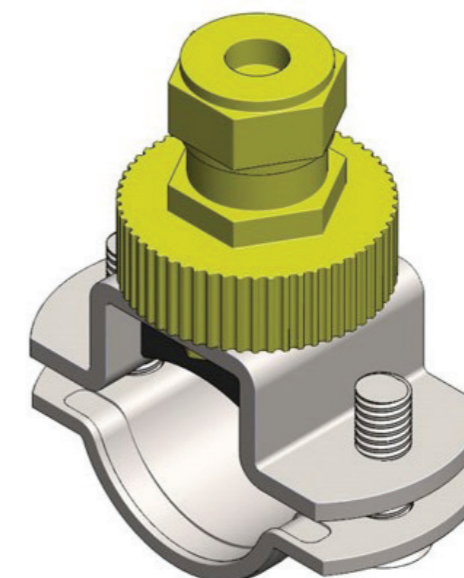
SPARE PARTS
AGX-YP



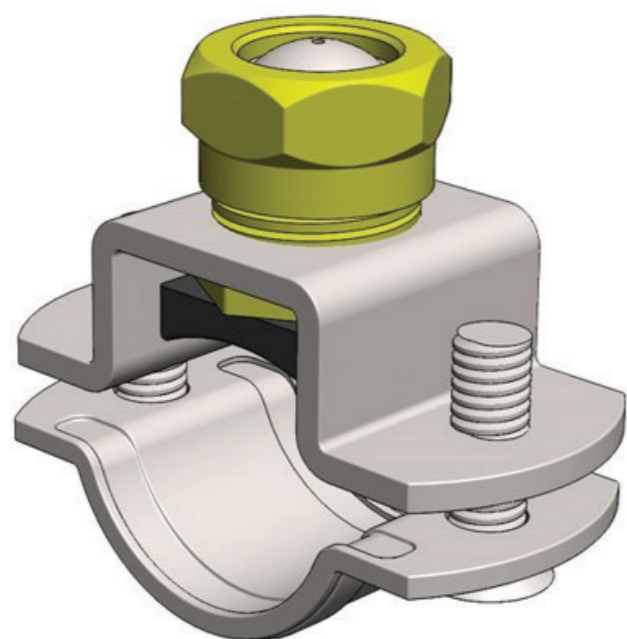
A. Nozzles
AGX-YP-NO



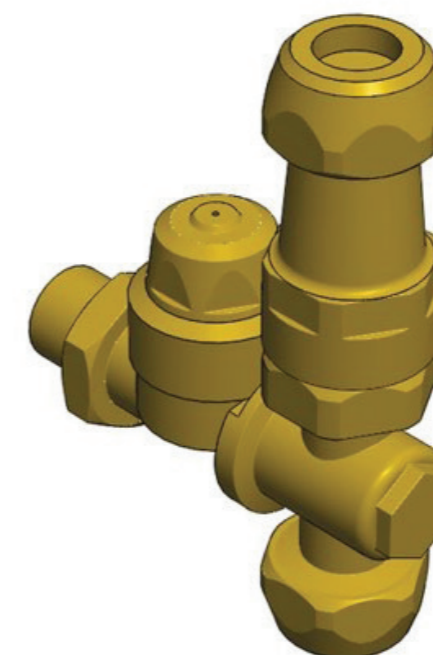
Plastic Nozzle with Four Fan



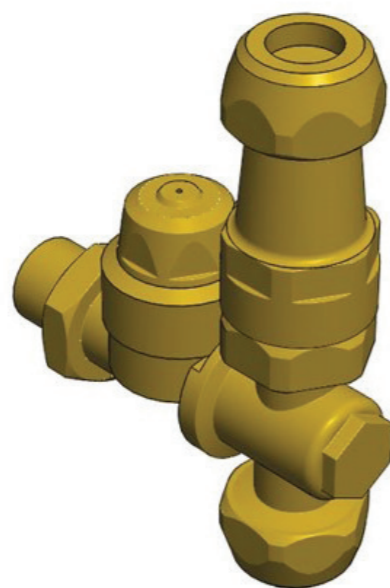
Chubby Brass Nozzle



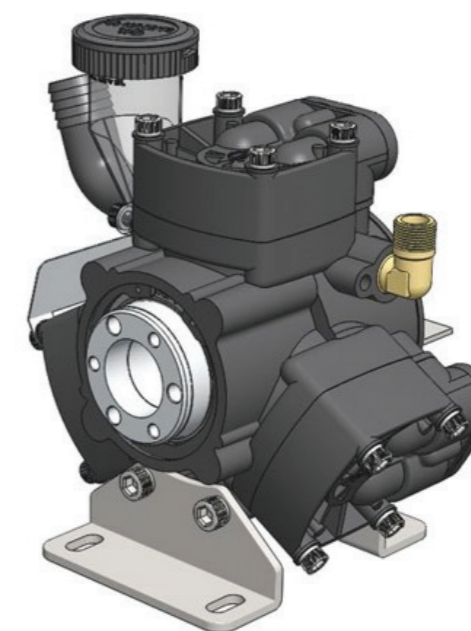
Handcuffed Brass Atomizer Nozzle



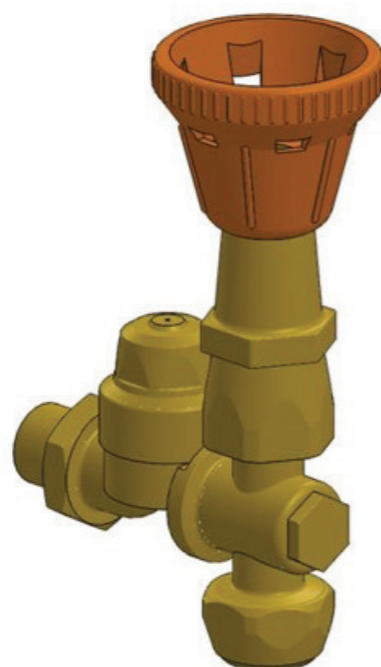
Located Brass Atomizer Nozzle



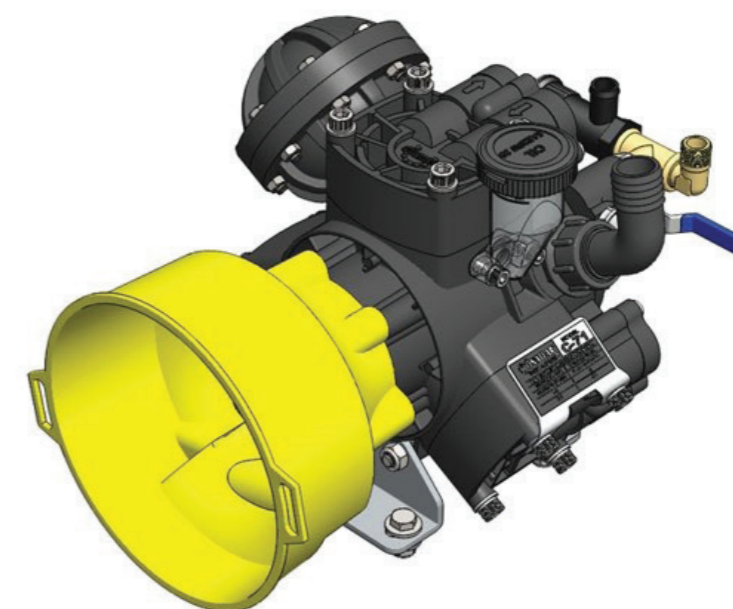
Imported Brass Atomizer Nozzle



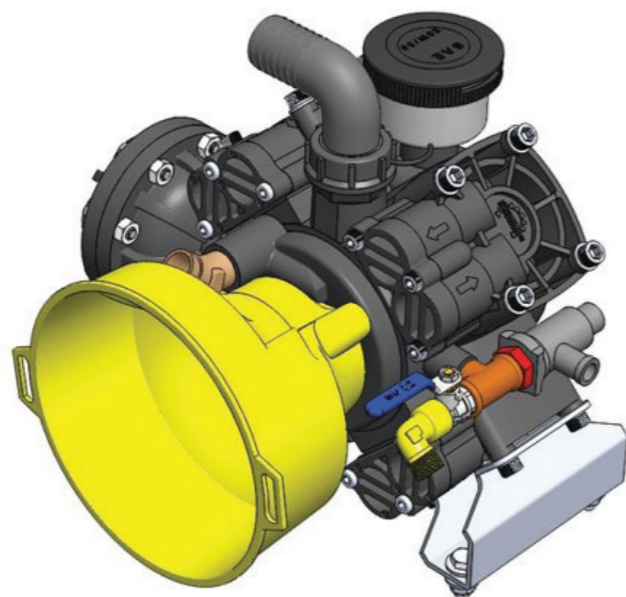
41' Pump



Funnel Brass Atomizer Nozzle



71' Pump



96' Pump

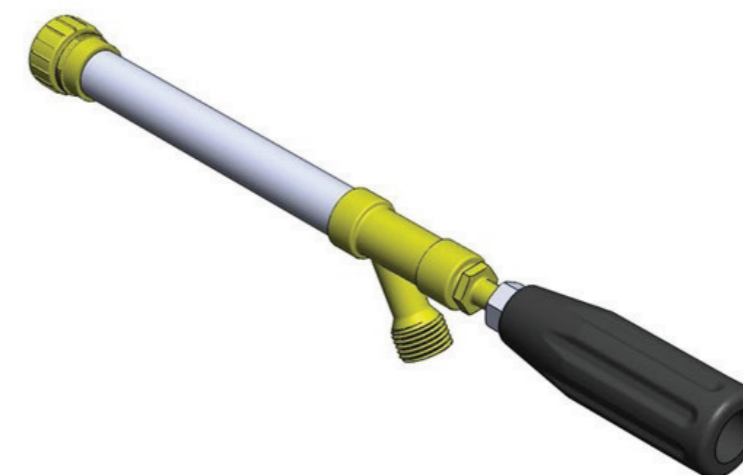
AGX-YBP-05



12' Pump

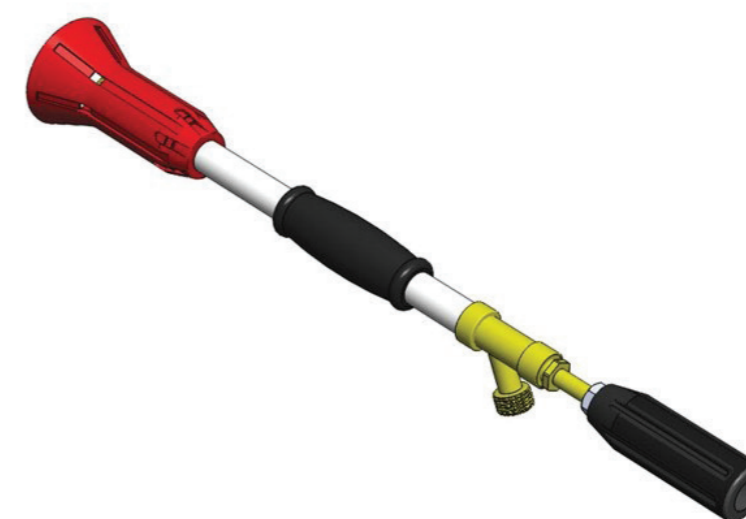


145' pump



Short Pistol

AGX-BE-02



Long Pistol

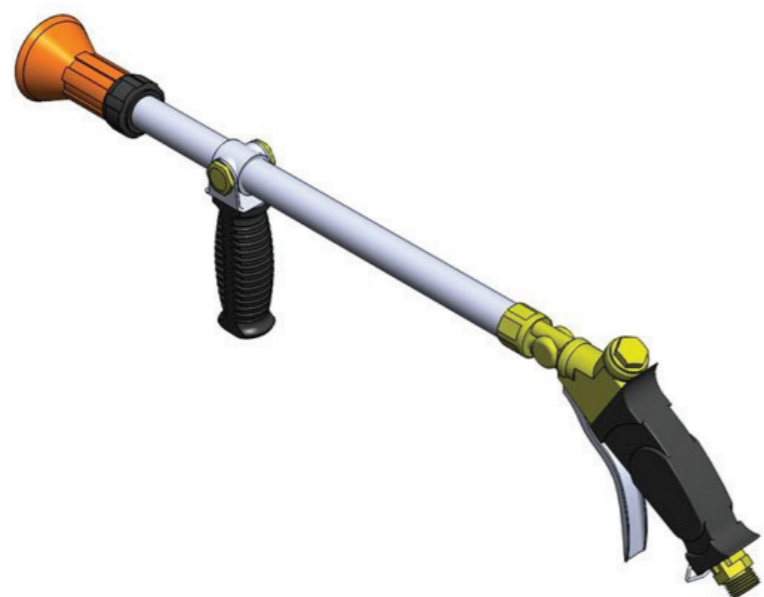
**B.Garden Equipment
AGX-BE-O**



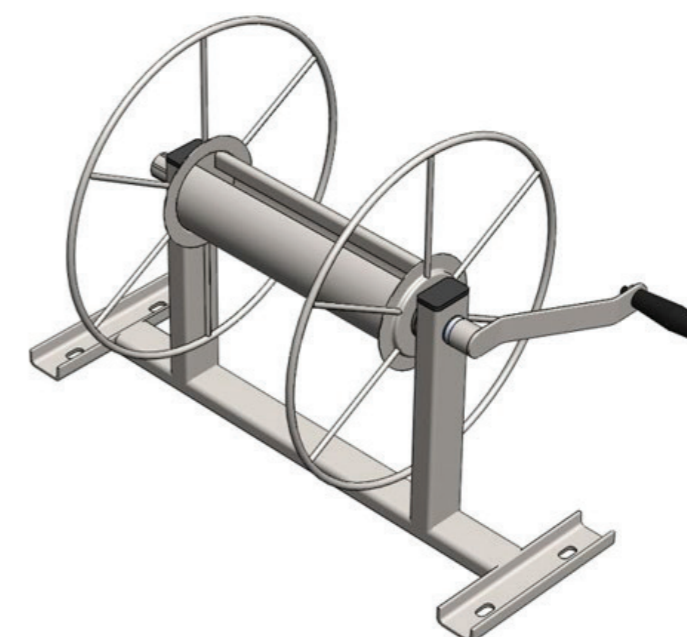
Short Trigger Pistol



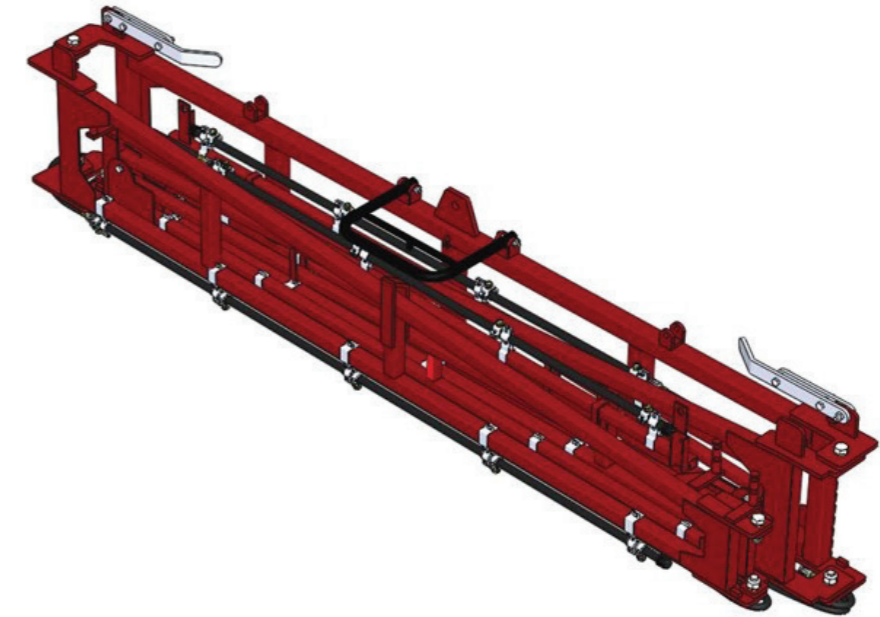
Hose (BLUE 90 Bar)



Long Trigger Pistol

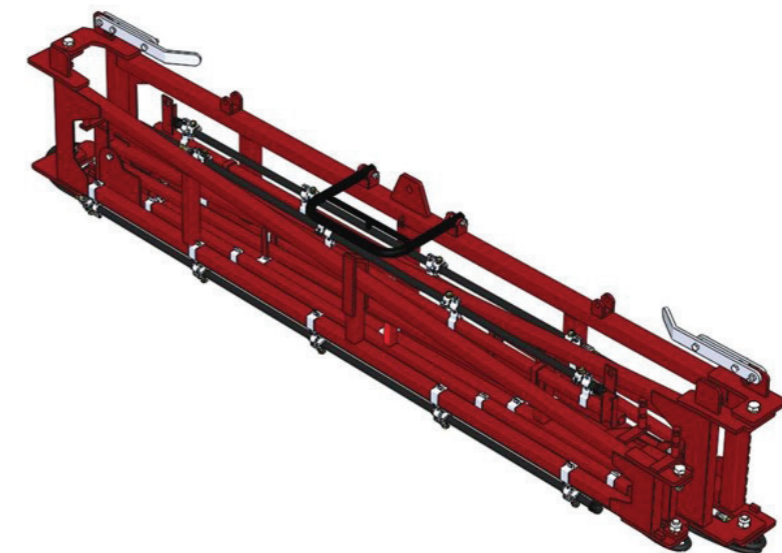


Hose Pulley



12 M Wings

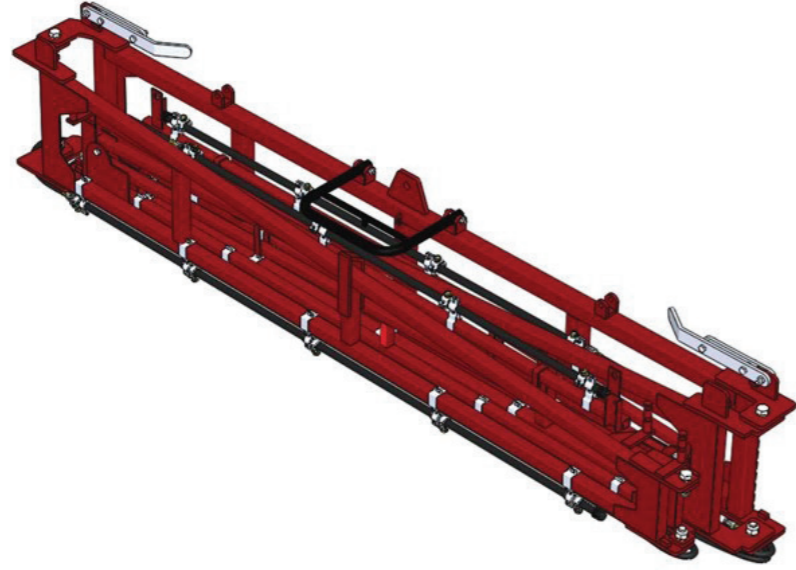
AGX-YHK-02



15 M Wings

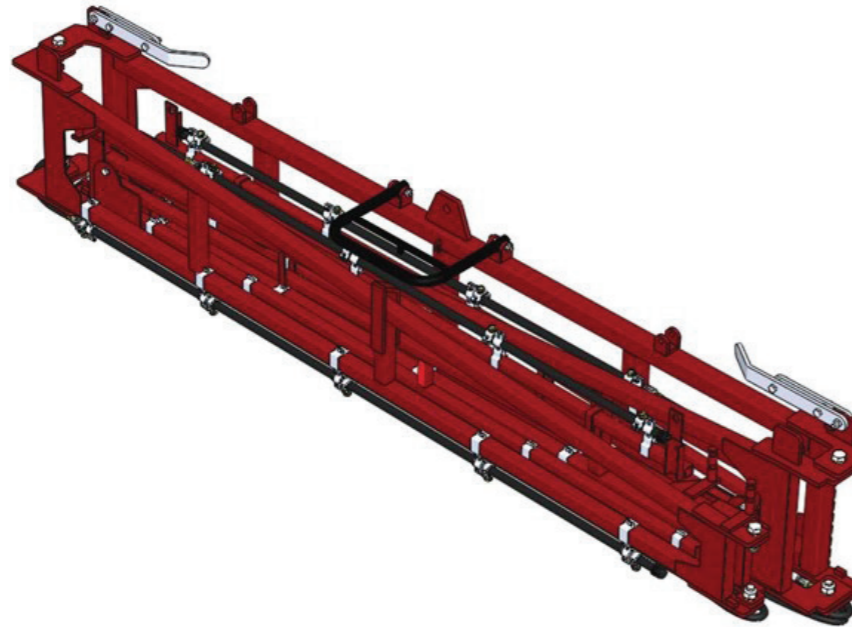
**C. Semi Hidrolic Wings
AGX-YHK-O**

AGX-YHK-03



16 M Wings

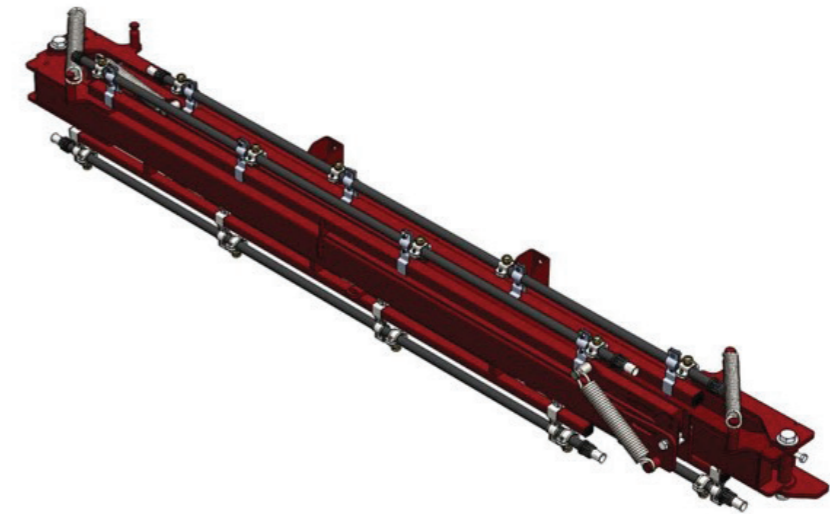
AGX-YHK-04



18 M Wings



12 M Standart Wings

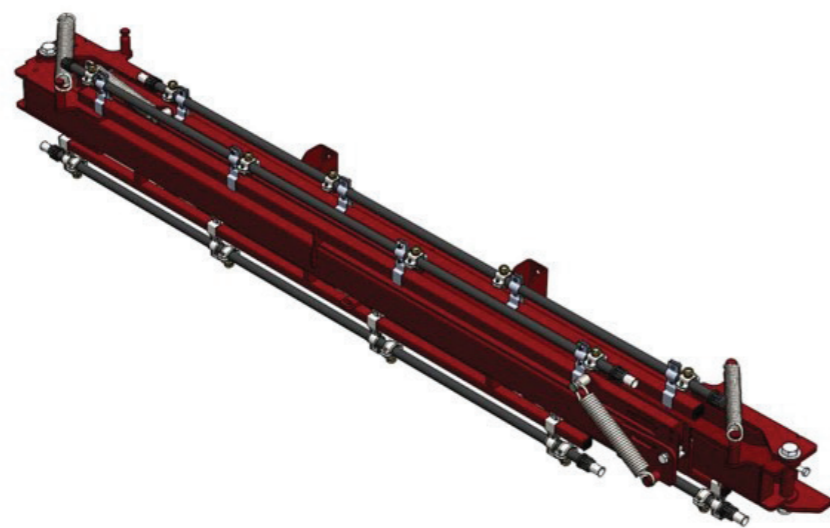


12 M CBX Wings

AGX-SK-02

159

agrolynx.com.tr



10 M CBX Wings

AGX-SK-04

160

agrolynx.com.tr



10 M Standart Wing



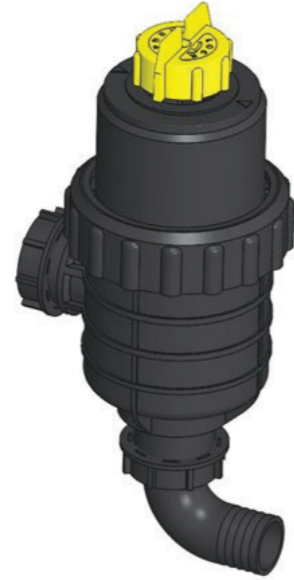
120 Lt Simple Filters

AGX-FLT-02

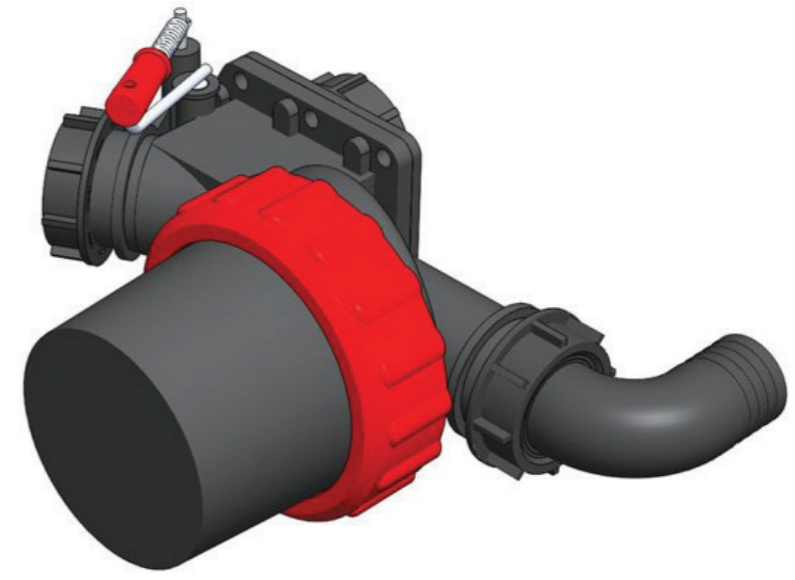


120 Lt Filters

**E. Filters
AGX-FLT-O**



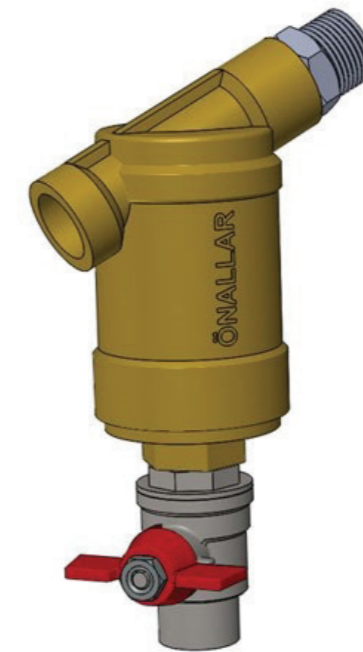
160 Lt Filters



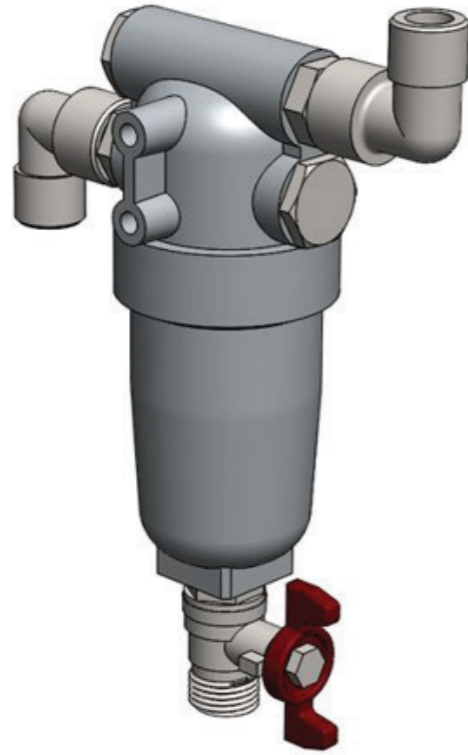
160 Lt 3 Ways Filters



220 Lt Filters



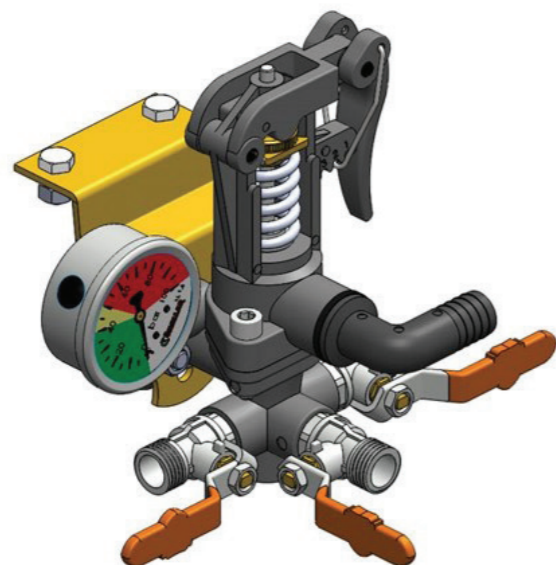
Micro Pressure Filters



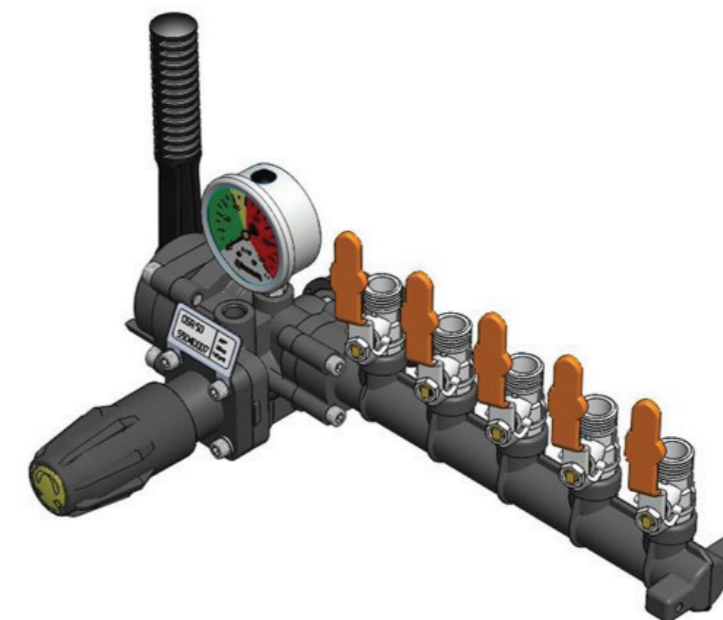
Huge Pressure Filter

165

agrolynx.com.tr



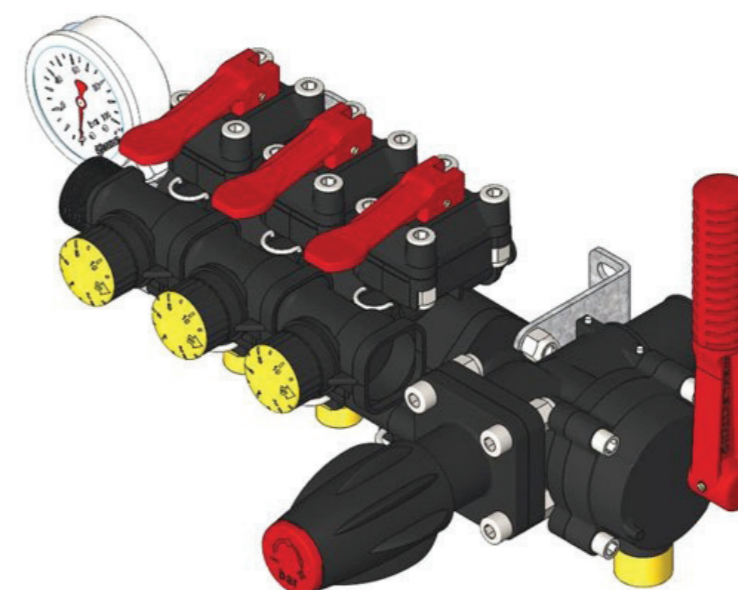
Controller



50-5' Controller

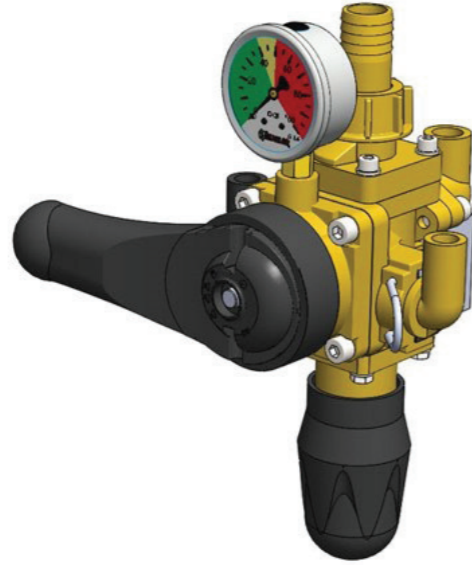


50-3' Controller



20-3' Controller

AGX-KMD-05

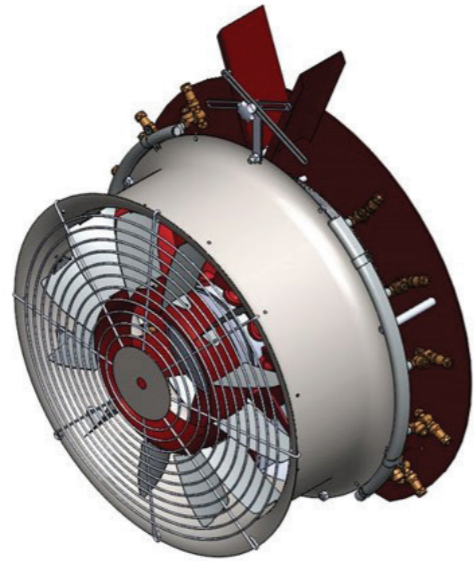


17' Controller

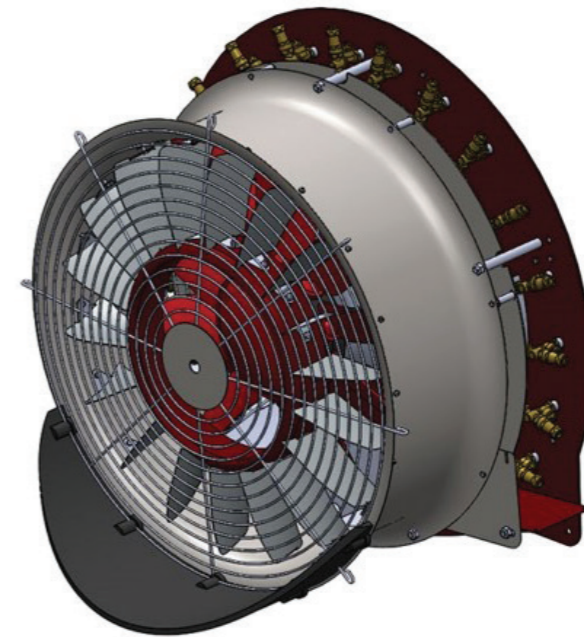
AGX-KMD-06



By Matic Controller

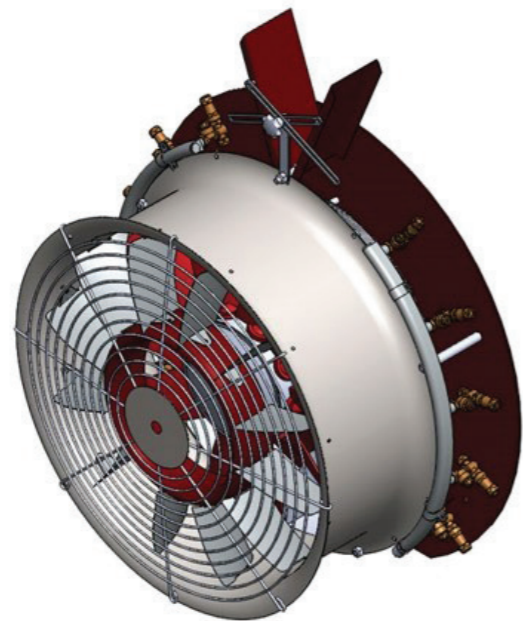


75' Fan



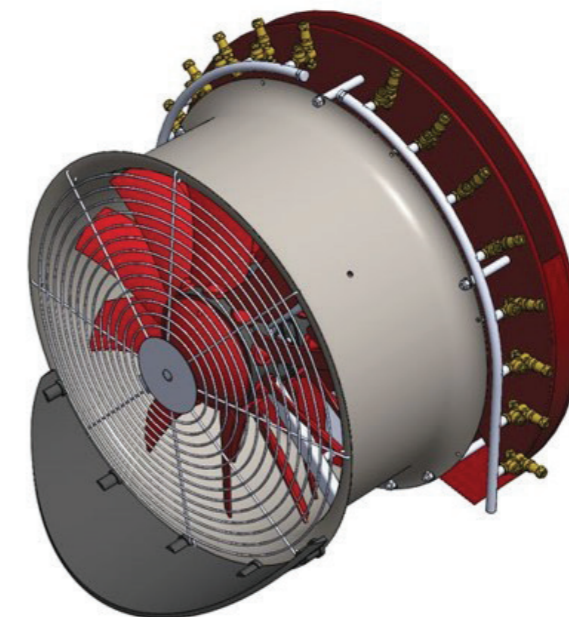
85' Fan

AGX-FN-02

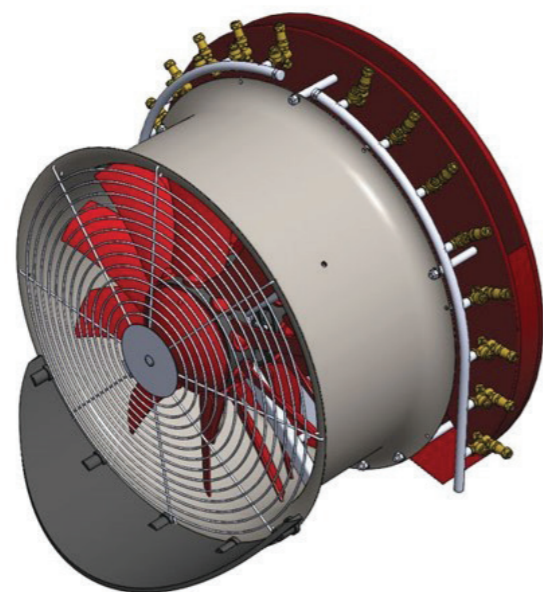


75' Fan with Separator

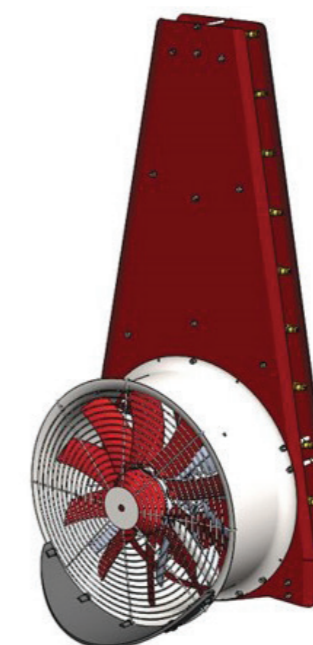
AGX-FN-04



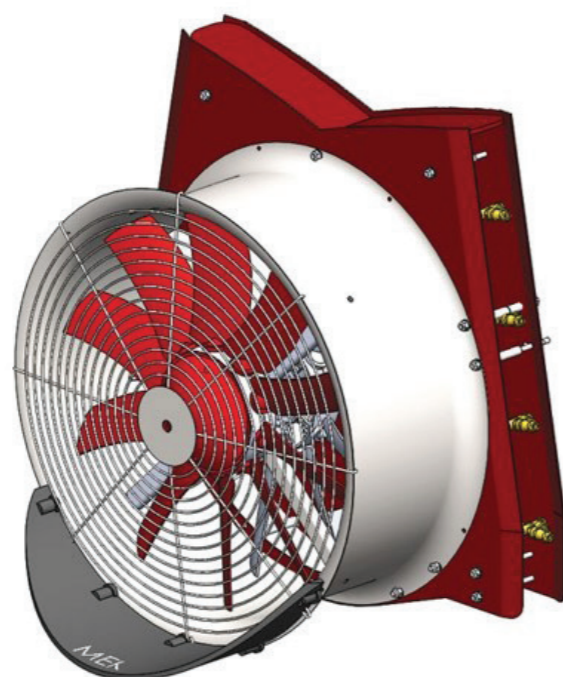
90' Fan



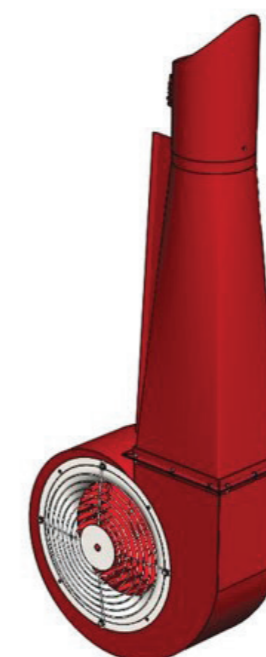
95' Double Propeller Fan



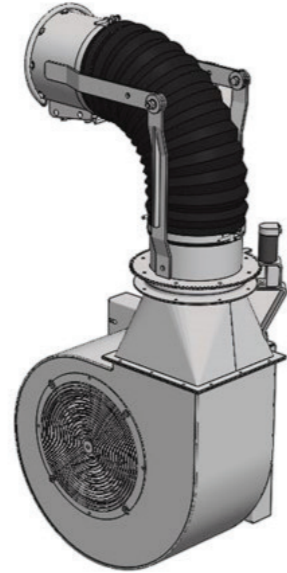
Tall Tower Fan 90'



Short tower Fan 90'

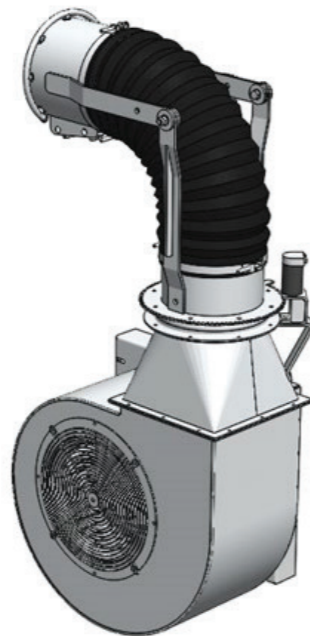


Snail Fan

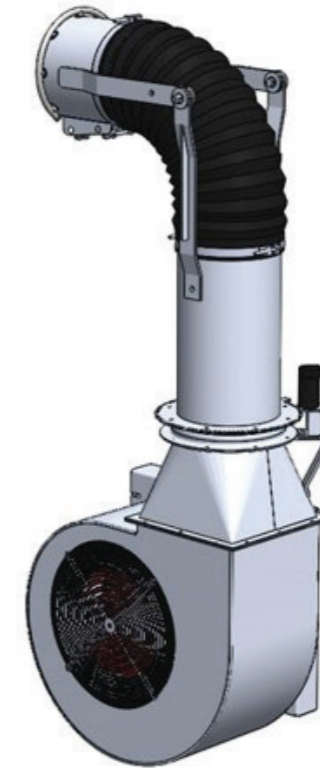


Local Robot Fan

AGX-FN-010



Mistral Robot Fan



Mais-Tech Robot Fan



AGRICULTURAL MACHINERY



Uzayçağı Avenue
1130. Street No:26 Ostim OSB
Yenimahalle - Ankara/TURKEY



+ 90 (312) 386 11 11



info@agrolynx.com.tr
www.agrolynx.com.tr